

## ACV-CFP2-QSFP28

### 100G ACV-CFP2-QSFP28 Converter Module

#### Features

- CAUI -4 Electrical Interface:4 Lanes @25.78Gbit/s for CFP2 port
- CAUI -4 Electrical Interface:4 Lanes @25.78Gbit/s for QSFP28 port
- Hot Pluggable
- MDIO, I2C Support
- Compliant to CFP2 MSA
- RoHS-6 compliant
- Case operating temperature: 0 to 70 ° C
- The ACV-CFP2-QSFP28 Adaptor Module converts a 100 Gigabit CFP2 port into a 100 Gigabit QSFP28 port. With the Adaptor Module, customers have the flexibility to use the 100 Gigabit CFP2 interface port of a switch with CFP2 modules or QSFP28 modules.



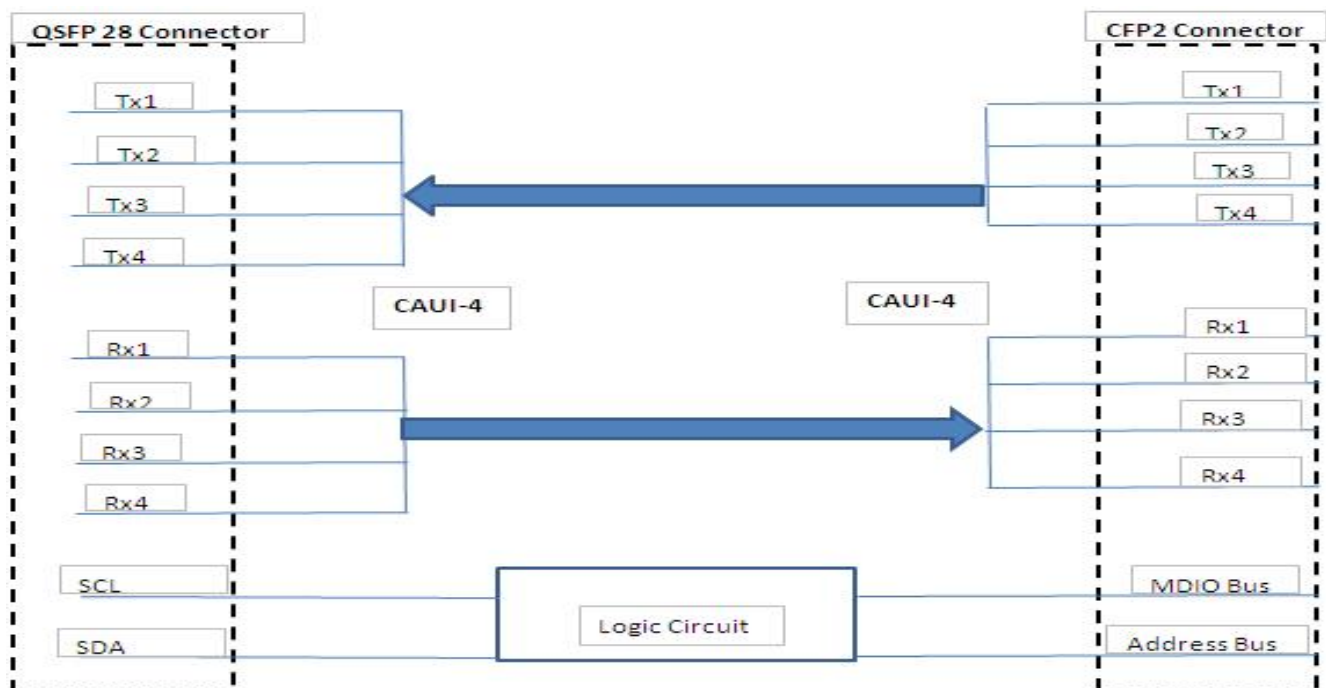
#### General Description

General Information	
Manufacturer Part Number	ACV-CFP2-QSFP28
Product Name	ACV-CFP2-QSFP28 Adaptor Module
Product Type	Adaptor Module
I/O Expansions	
CFP2 port	MDIO
QSFP28 port	I2C
Physical Characteristics	
Form Factor	Internal
Dimensions	12.4mmHeight x 41.5Width x 108.2 Depth

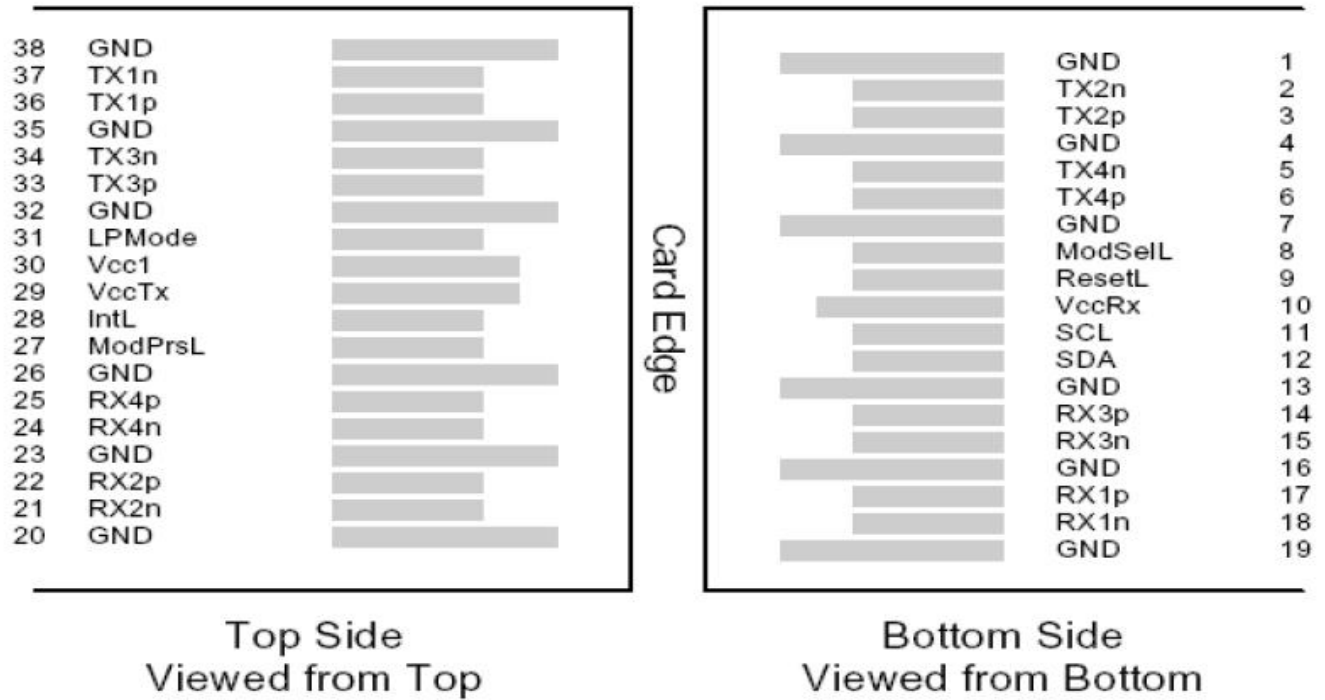
## Interface (QSFP28 port & CFP2 port)

Parameters	Symbol	Min	Typical	Max	Unit	Notes
<b>Receiver</b>						
Signal Rate Per Lane			25.78		Gb/s	
Differential data output swing per lane	Vout,pp	CAUI-4 as defined by IEEE P802.3bm			mV	
Data output rise time	tr				ps	
Data output fall time	tf				ps	
<b>Transmitter</b>						
Signal Rate Per Lane			25.78		Gb/s	
Input differential impedance	Rin	CAUI-4 as defined by IEEE P802.3bm			Ω	
Differential data input swing per lane	Vin,pp				mV	
Data input rise time tolerance	tr				ps	
Data input fall time tolerance	tf				ps	

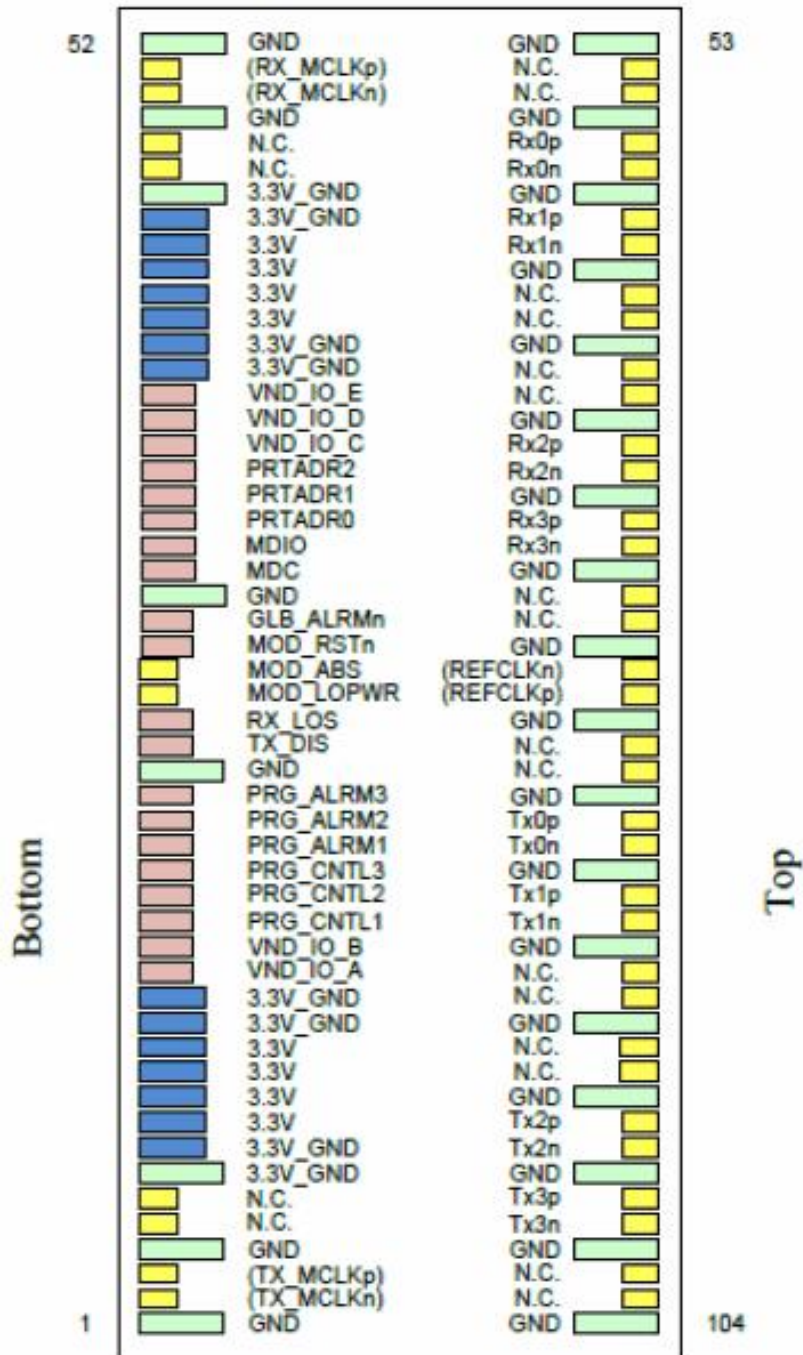
## Block Diagram



## PIN Assignment of QSFP28 port

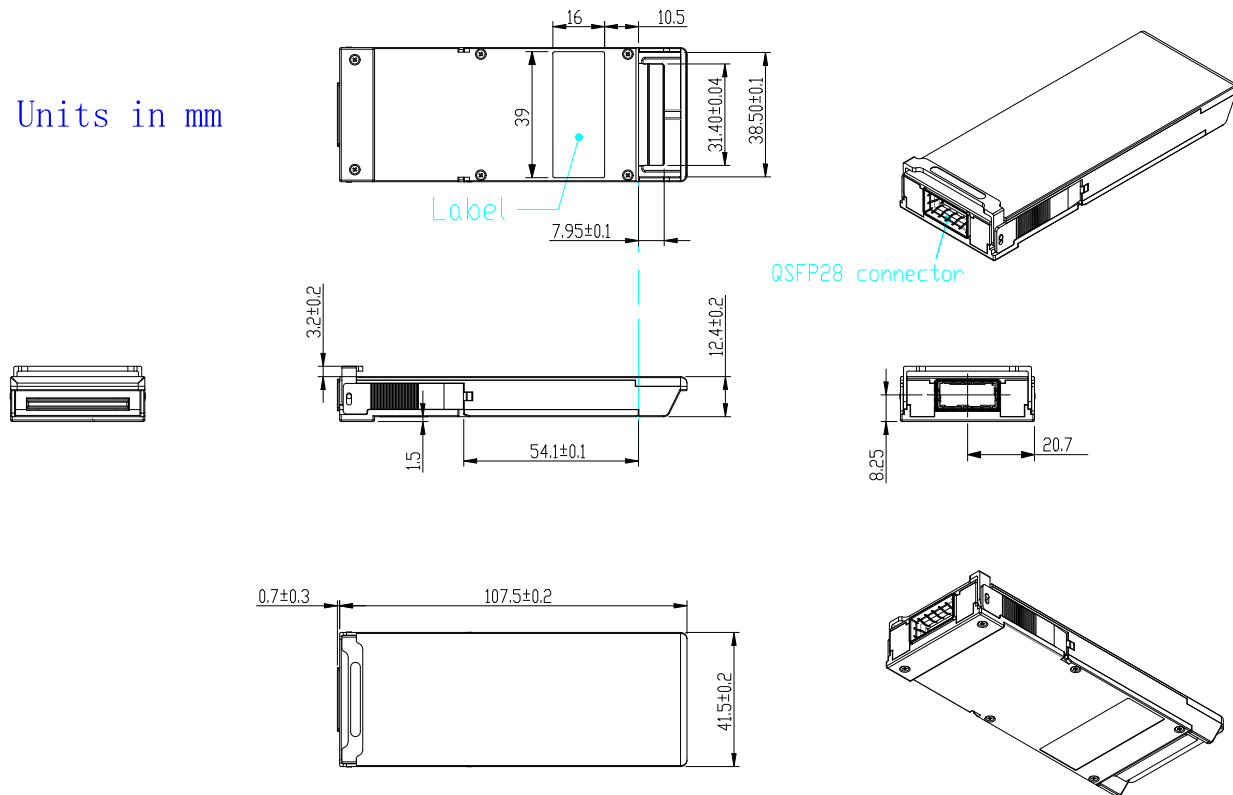


## PIN Assignment of CFP2 port



## Package Outline (Unit:mm)

Units in mm



## Ordering information

Part Number	Product Description
ACV-CFP2-QSFP28	100G CFP2 TO QSFP28, 25.78Gb/s, 0°C ~ +70°C

AscentOptics reserves the right to make changes to the product(s) or information contained herein without notice. No liability is assumed as a result of their use or application. No rights under any patent accompany the sale of any such product(s) or information. Published by Ascent Optics Co.,Ltd. Copyright © Ascent Optics All Rights Reserved.

E-mail: [sales@ascentoptics.com](mailto:sales@ascentoptics.com)  
 Web : <http://www.ascentoptics.com>