

## GBIC-24BS35-40C

1.25Gbps GBIC Bi-Directional Transceiver, 40km Reach  
1550nm TX / 1310 nm RX

### Features

- Dual data-rate of 1.25Gbps/1.0625Gbps operation
- 1550nm DFB laser and PIN photodetector for 40km transmission
- Duplex SC optical interface
- Standard serial ID information compatible with SFF-8053
- +3.3V/5V single power supply
- RoHS Compliant
- Operating case temperature:  
Standard : 0 to +70°C



### Applications

- Switch to Switch interface
- Switched backplane applications
- Router/Server interface
- Other optical transmission systems

### Description

The GBIC transceiver is high performance, cost effective module supporting dual data-rate of 1.25Gbps/1.0625Gbps and from 20km transmission distance with SMF.

The transceiver consists of two sections: The transmitter section incorporates a DFB laser. And the receiver section consists of a PIN photodiode integrated with a trans-impedance preamplifier (TIA). All modules satisfy class I laser safety requirements.

The optical output can be disabled by a TTL logic high-level input of Tx Disable. Tx Fault is provided to indicate degradation of the laser. Loss of signal (LOS) output is provided to indicate the loss of an input optical signal of receiver.

The standard serial ID information Compatible with GBIC MSA describes the transceiver's capabilities, standard interfaces, manufacturer and other information. The host equipment can access this information via the two-wire serial CMOS EEPROM protocol. For further information, please refer to SFF-8053

## Absolute Maximum Ratings

Stress in excess of the maximum absolute ratings can cause permanent damage to the module.

**Table 1 - Absolute Maximum Ratings**

Parameter	Symbol	Min	Typical	Max	Unit
Maximum Supply Voltage	V <sub>cc</sub>	0.5	-	4.5	V
Storage Temperature	T <sub>s</sub>	-40	-	100	°C
Relative Humidity	RH	0	-	+85	%

## Recommended Operating Conditions

**Table2 - Recommended Operating Conditions**

Parameter		Symbol	Min	Typical	Max	Unit
Operating Case Temperature	Standard	T <sub>c</sub>	0	-	+70	°C
Power Supply Voltage		V <sub>cc</sub>	3.1		5.5	V
Power Supply Current		I <sub>cc</sub>			300	mA
Data Rate	Gigabit Ethernet			1.25		Gbps
	Fibre Channel			1.0625		

## Optical and Electrical Characteristics

**GBIC-24BS35-40C: (1550nm DFB and PIN, 40km)**

**Table3 - Optical and Electrical Characteristics (Operating case temperature TC=25°C, VCC=3.3V)**

Parameter	Symbol	Min.	Typical	Max.	Unit	Notes
<b>Transmitter</b>						
Centre Wavelength	λ <sub>C</sub>	1530	1550	1570	nm	
Average Output Power	P <sub>0ut</sub>	-5		0	dBm	1
Spectral Width (-20dB)	σ			1	nm	
Side Mode Suppression Ratio	SMSR	30			dB	
Extinction Ratio	ER	9			dB	
Output Optical Eye	IEEE 802.3z and ANSI Fibre Channel compatible					2
Data Input Swing Differential	V <sub>IN</sub>	300		1860	mV	3
Input Differential Impedance	Z <sub>IN</sub>	90	100	110	Ω	
TX Disable	Disable	2.0		V <sub>cc</sub>	V	
	Enable	0		0.8	V	
TX Fault	Fault	2.0		V <sub>cc</sub> +0.3	V	
	Normal	0		0.8	V	
<b>Receiver</b>						
Centre Wavelength	λ <sub>C</sub>	1260		1360	nm	

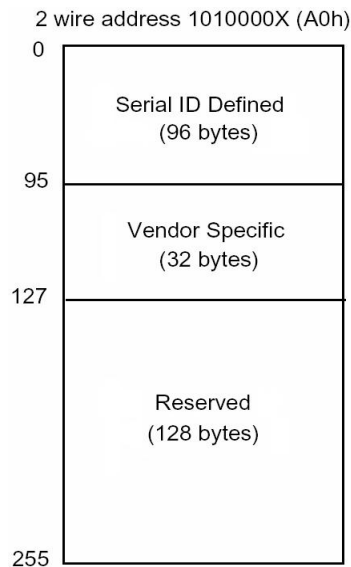
Receiver Sensitivity				-23	dBm	4
Receiver Overload		-3			dBm	4
Optical Path Penalty				1	dB	5
LOS De-Assert	LOSD			-24	dBm	
LOS Assert	LOSA	-30			dBm	
LOS Hysteresis		1		4	dB	
Data Output Swing Differential	VOUT	370		1800	mV	6

**Notes:**

1. The optical power is launched into SMF.
2. Measured with a PRBS  $2^7-1$  test pattern @1250Mbps.
3. PECL input, internally AC coupled and terminated.
4. Measured with a PRBS  $2^7-1$  test pattern @1250Mbps, BER  $\leq 1 \times 10^{-12}$ .
5. Measured with a PRBS  $2^7-1$  test pattern @1250Mbps, over 20km G.652 SMF, BER  $\leq 1 \times 10^{-12}$ .
6. Internally AC coupled.

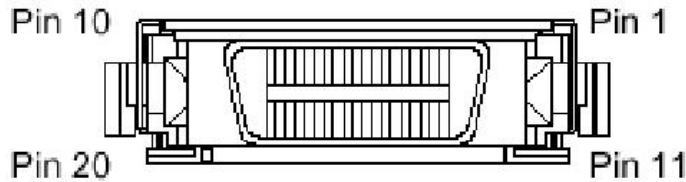
## EEPROM Section

The SFF-8053 defines a 256-byte memory map in EEPROM describing the transceiver’s capabilities, standard interfaces, manufacturer, and other information, which is accessible over a 2 wire serial interface at the 8-bit address 1010000X (A0h).



## Pin Assignment

Pin Diagram

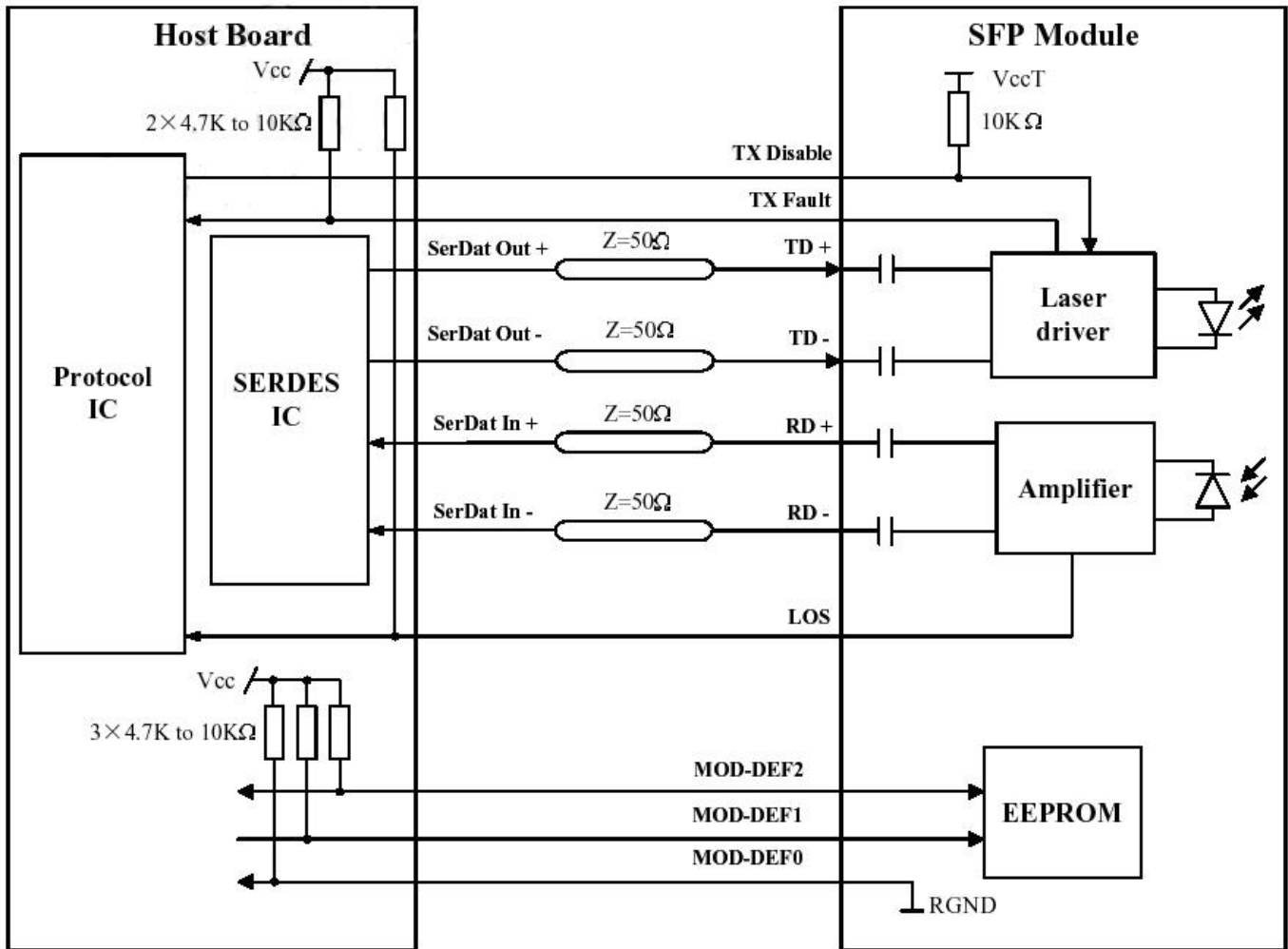


## Pin Descriptions

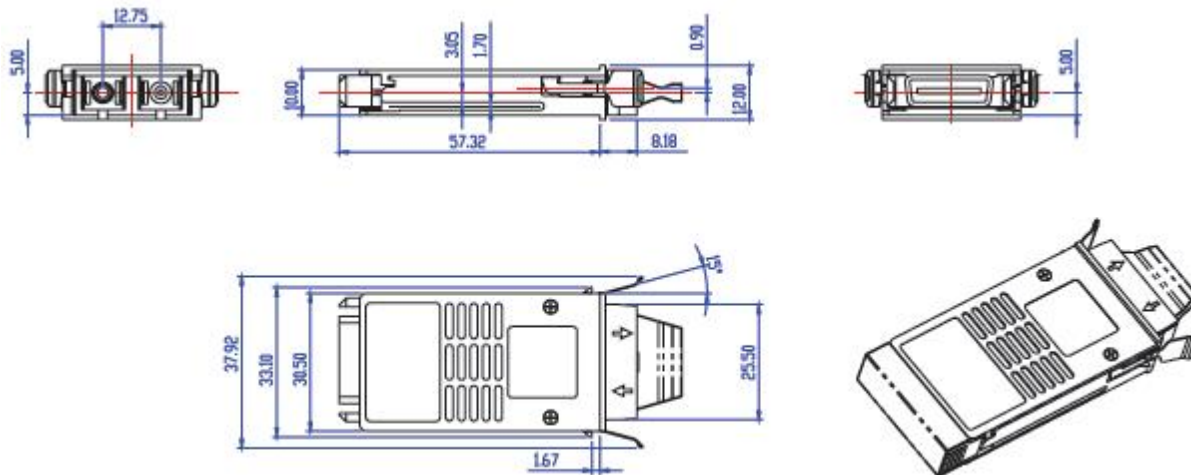
Table 6- Pin Descriptions

Pin Name	Pin#	Name/Function	Signal Specification
<b>Receiver signals</b>			
RGND	2,3,11,14	Receiver Ground (may be connected with TGND in GBIC)	Ground, to GBIC
VDDR	15	Receiver +3.3/5 volt (may be connected with VDDT in GBIC)	Power, to GBIC
-RX_DAT	12	Receive Data, Differential PECL	High speed serial, from GBIC
+RX_DAT	13	Receive Data, Differential PECL	High speed serial, from GBIC
RX_LOS	1	Receiver Loss of Signal, logic high, open collector compatible, 4.7k to 10k $\Omega$ pull up to VDDT on host	Low speed, from GBIC
<b>Transmitter signals</b>			
TGND	8,9,17,20	Transmitter Ground (may be connected with RGND internally)	Ground, to GBIC
VDDT	16	Transmitter +3.3/5 volt (may be connected with VDDR in GBIC)	Power, to GBIC
-TX_DAT	18	Transmit Data, Differential PECL	High speed serial, to GBIC
+TX_DAT	19	Transmit Data, Differential PECL	High speed serial, to GBIC
TX_DISABLE	7	Transmitter Disable, logic high, open collector Compatible, 4.7k to 10k $\Omega$ pull up to VDDT on GBIC	Low speed, to GBIC
TX_FAULT	10	Transmitter, Fault, logic high, open collector compatible, 4.7k to 10k $\Omega$ pull up to VDDT on host	Low speed, from GBIC
<b>Control signals</b>			
MOD_DEF(0)	4	TTL low, output	Please reference SFF-8053, Annex D; Module definition "4"
MOD_DEF(1)	5	SCL serial clock signal, input	
MOD_DEF(2)	6	SDA serial data signal, input/output	

## Block Diagram of Transceiver



## Mechanical Dimensions



## Ordering information

Part number	Product Description
GBIC-24BS35-40C	1550nm, 1.25Gbps, SC, 40km, 0°C~+70°C

AscentOptics reserves the right to make changes to the product(s) or information contained herein without notice. No liability is assumed as a result of their use or application. No rights under any patent accompany the sale of any such product(s) or information. Edition: Apr. 2019 Published by Ascent Optics Co.,Ltd. Copyright © Ascent Optics All Rights Reserved.

E-mail: [sales@ascentoptics.com](mailto:sales@ascentoptics.com)

Web : <http://www.ascentoptics.com>