

XGPU-P2T9R-NxI

XGPON ONU SFP+ Transceiver

Features

- Single fiber bi-directional data links asymmetric TX 2.488Gbps/RX9.953Gbps application
- -40 to 85°C operating case temperature
- Single 3.3V power supply
- SFP+ package with SC/UPC Receptacle connector
- Hot-pluggable capability
- High power 1270nm DML DFB LD and high sensitivity 1577nm APD
- Support 20km transmission distance with SMF
- CML compatible data input/output interface
- Low power dissipation
- Low EMI and excellent ESD protection
- Digital diagnostic monitor interface
- RoHS-6 compliance



Applications

- 10-Gigabit-capable passive optical networks(XG-PON1) ONU (ODN:N1 or N2a class)

Standards

- Complies with SFP+ MSA (SFF-8431)
- Complies with ITU-T G.987.2
- Complies with SFF-8472
- Complies with FCC 47 CFR Part 15, Class B
- Complies with FDA 21 CFR 1040.10 and 1040.11, Class I
- Complies with FDA 21 CFR 1040.10 and 1040.11 except for deviations pursuant to Laser Notice No. 50, dated June 24, 2007

Absolute Maximum Ratings

Table 1 - Absolute Maximum Ratings

Parameter	Symbol	Min	Max	Unit	Note
Storage Ambient Temperature	T_{STG}	-40	85	°C	
Operating Case Temperature	T_c	-40	85	°C	
Operating Humidity	OH	5	95	%	
Power Supply Voltage	V_{CC}	0	3.6	V	

Recommended Operating Environment

Table 2 - Recommended Operating Environment

Parameter	Symbol	Min	Typical	Max	Unit	Notes
Operating Case Temperature	T_c	-40		+85	°C	
Power Supply Voltage	V_{CC}	3.15	3.3	3.45	V	
Power Supply Current	I_{CC}			450	mA	
Nominal upstream line rate			2.48832		Gbps	
Nominal downstream line rate			9.95328		Gbps	

Transmitter Optical Characteristics

Table 3- Transmitter Optical Characteristics

Parameter	Symbol	Min	Typical	Max	Unit	Notes
Average Launch Optical Power	P_{OUT}	2	-	7	dBm	EOL, Launched into 9/125 μ m single mode fiber
Extinction Ratio	ER	8.2	-	-	dB	
Centre Wavelength	λ	1260	1270	1280	nm	
Spectral Width (-20dB)	$\Delta\lambda$	-	-	1	nm	
Side Mode Suppression Mode	SMSR	30			dB	

Burst on time	T-on			32	bits	
Burst off time	T-off			32	bits	
Tx-SD Assert	SD-on			100	ns	
Tx-SD De-Assert	SD-off			100	ns	
Transmitter and dispersion penalty	TDP			0.5	dB	Transmit on 40km SMF
Transmitter tolerance to reflected optical power		-15			dB	
Transmitter reflectance of TX, measured at TX wavelength				-6	dB	
Eye Diagram	Compliant With ITU-T G.987.2					PRBS 2 ²³ -1 test pattern @2.48832Gbit/s

Transmitter Electrical Characteristics

Table 4- Transmitter Electrical Characteristics

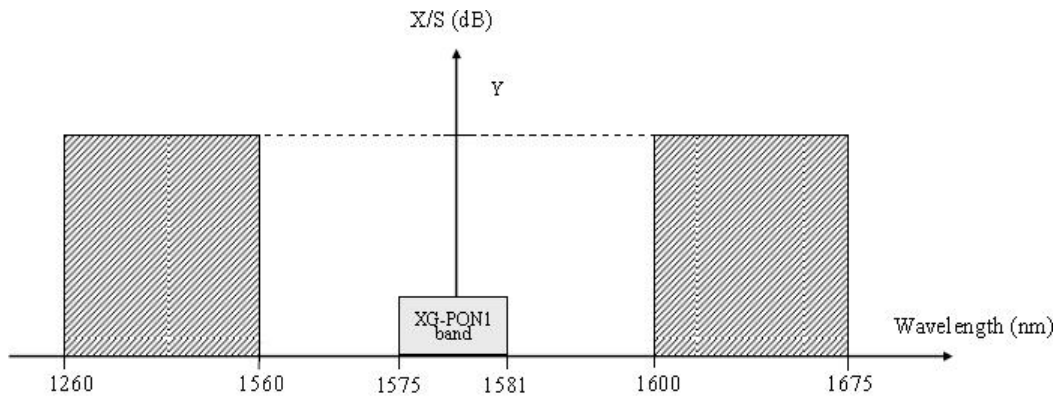
Parameter	Symbol	Min	Typical	Max	Unit	Notes
Input Differential Impedance	ZIN	90	100	110	Ω	
Data Input Swing Differential	VIN	200	-	1600	mV	
Burst Disable		2.0		Vcc	V	
Burst Enable		0		0.8	V	
Tx- Fault Voltage - Low		0		0.4	V	
Tx- Fault Voltage - High		2.4		Vcc	V	

Receiver Characteristics

Table 5- Receiver Characteristics

Parameter	Symbol	Min	Typical	Max	Unit	Notes
Optical Center Wavelength	λ_c	1575	-	1580	nm	
Receiver Sensitivity				-28	dBm	Measured with PRBS 2 ³¹ -1test pattern @9.953Gbit/s,B ER $\leq 1 \times 10^{-3}$
Receiver Overload		-8			dBm	Measured with PRBS 2 ³¹ -1test pattern @9.953Gbit/s,B ER $\leq 1 \times 10^{-3}$
Receiver reflectance				-20	dB	
LOS Assert		-44			dBm	
LOS De-Assert				-29	dBm	
LOS Hysteresis		0.5		5	dB	
Data Output Swing Differential	VOUT	340	-	850	mV	
LOS	High	2.4	-	Vcc	V	
	Low	0	-	0.4	V	

Versatile WDM Configuration



Class	Y
N1	FFS
N2a	FFS
N2b	FFS
E1	FFS
E2a	FFS
E2b	FFS

Figure 1 X/S tolerance mask for ONU

Note: X/S: In the mask (hatching area) should not cause the XG-PON receiver to fail to meet its sensitivity requirements.

Pin Descriptions

Table 6-Pin Descriptions

Pin	Name	Description	Note
1	VeeT	Module Transmitter Ground	
2	Tx_Fault	Module Transmitter Fault	Low: normal; High: abnormal
3	Tx_Burst	Transmitter Burst Enable	TTL Input, Low: transmitter on
4	SDA	Module Definition 2	2 wire serial ID interface, SDA
5	SCL	Module Definition 1	2 wire serial ID interface, SCL
6	MOD_ABS	Module Absent	Connected to VeeT or VeeR in the module

7	TX_SD	Tx Transmitter State Indication	TX_Indication Assert When Transmitter ON
8	Rx_LOS	Receiver Signal Indication	Low: signal detected; High: loss of signal
9	NC	Not Connect	NC
10	VeeR	Module Receiver Ground	
11	VeeR	Module Receiver Ground	
12	RD-	Inverted Received Data Out	AC-coupled,
13	RD+	Non-inverted Received Data Out	AC-coupled,
14	VeeR	Module Receiver Ground	
15	VCCR	Module Receiver 3.3 V Supply	
16	VCCT	Module Transmitter 3.3 V Supply	
17	VeeT	Module Transmitter Ground	
18	TD+	Non-Inverted Transmit Data in	AC-coupled
19	TD-	Inverted Transmit Data in	AC-coupled
20	VeeT	Module Transmitter Ground	

Pin Assignment

Pin Out Drawing

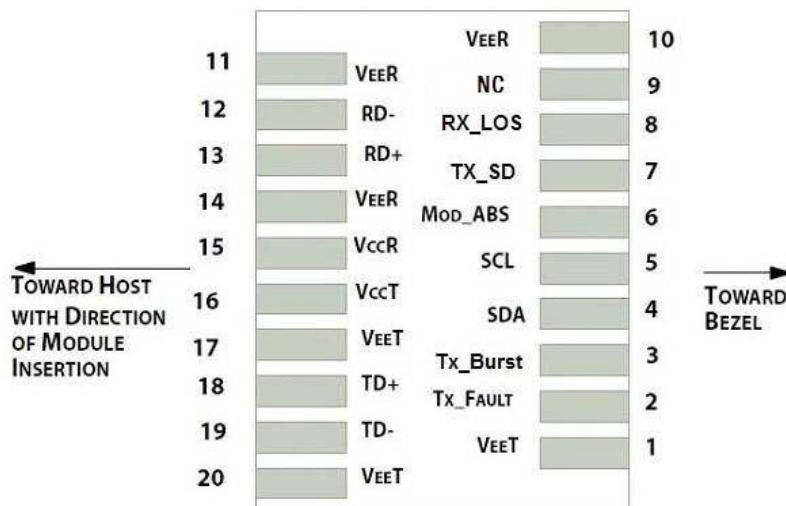


Figure 2 Pin Out Drawing

Typical Interface Circuit

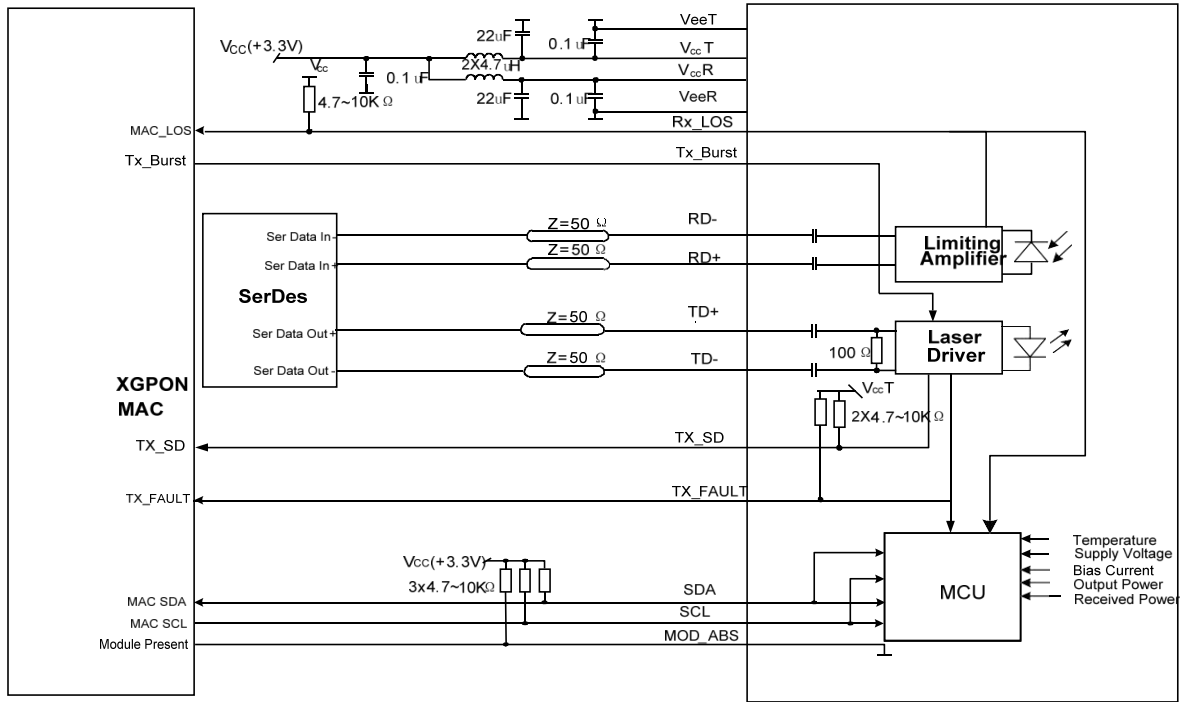


Figure 3 Typical Interface Circuit

Package Outline

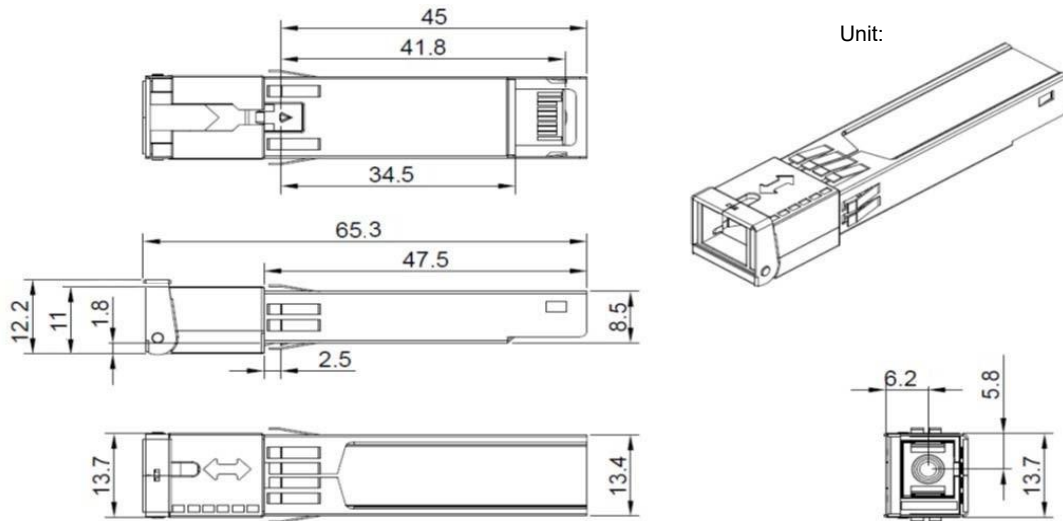


Figure 4 Package Outline

EEPROM Information

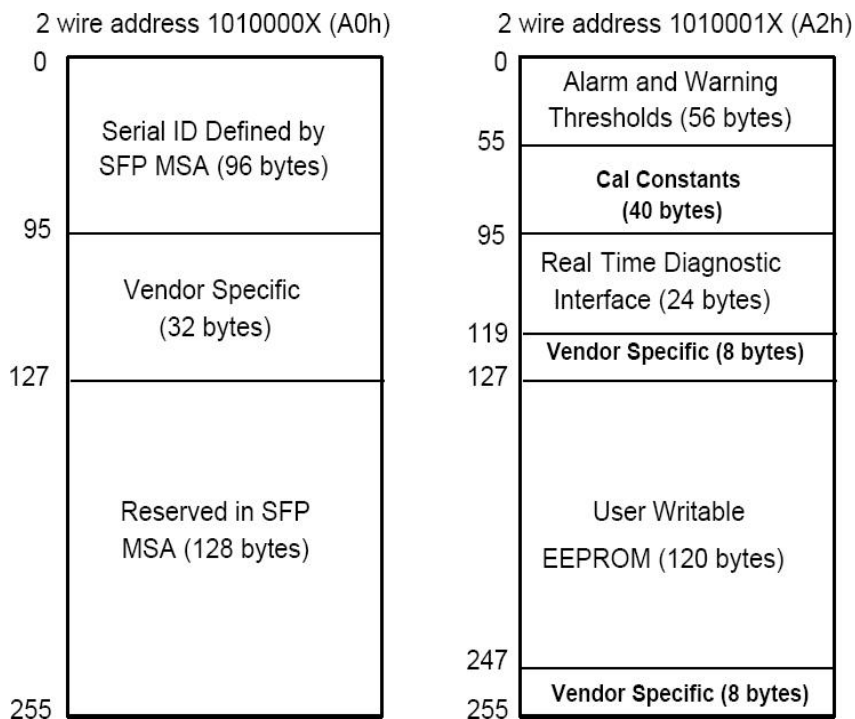


Figure 5 EEPROM Memory Map Specific Data Field Descriptions

Digital Diagnostic Monitoring Interface

Table 7- Digital Diagnostic Monitoring Interface

Parameter	Range	Accuracy	Calibration	Note
Temperature	-40 to +85 °C	±3°C	Internal	1 LSB=1/256° C
Voltage	3 to 3.6 V	±3%	Internal	1 LSB=0.1mV
Bias Current	0 to 131 mA	±10%	Internal	1 LSB=2uA
TX Power	0 to 9 dBm	±3dB	Internal	1 LSB=0.1uW
RX PowerMonitor	-30 to -8 dBm	±3dB	Internal	1 LSB=0.1uW

Ordering information**Table 8- Ordering information**

Part Number	Product Description
XGPU-P2T9R-NxI	XG-PON1 ONU I temp SFP+, SC, N1/N2a, 1270T/1577R, -40 ~ +85°C, with DDM

AscentOptics reserves the right to make changes to the product(s) or information contained herein without notice. No liability is assumed as a result of their use or application. No rights under any patent accompany the sale of any such product(s) or information. Edition: Apr. 2019 Published by Ascent Optics Co.,Ltd. Copyright © Ascent Optics All Rights Reserved.

E-mail: sales@ascentoptics.com

Web : <http://www.ascentoptics.com>