

---

## QSP-100DCxx-80CL

100Gbps QSFP28 DWDM Transceiver, 80km Reach

### Features

- Supports 100Gbps
- Available in all C-Band Wavelengths on the
- 100GHz DWDM ITU Grid
- Single 3.3V Power Supply
- Power Dissipation < 5.5W
- 80km reach over SMF with EDFA&DCM (dispersion compensation modules)
- QSFP28 MSA Compliant
- SFF-8636 Rev 2.10a Compliant
- 4x25G Electrical Interface
- LC Duplex Connector
- Commercial Case Temperature Range of 0° C to 70° C
- I<sup>2</sup>C Interface with Integrated Digital Diagnostic Monitoring
- Safety Certification: TUV/UL/FDA
- RoHS Compliant



### Applications

- 100G Amplified DWDM Networks
- Data Center Interconnects

### Product Description

The QSP-100DCxx-80CL series single mode transceiver module is designed for use in duplex optical data communications. This module is designed for single mode optical fiber and operates at a data rate of 100Gbps at the nominal DWDM wavelength from 1528.77nm to 1565.50nm as specified by the ITU-T. This module can convert 4 channels of 25Gbps (NRZ) electrical input data to 1 channel of 100Gbps (PAM4) optical signal, and also can convert 1 channel of 100Gbps (PAM4) optical signal to 4 channels of 25Gbps (NRZ) electrical output data. The electrical interface of the module is compliant with the OIF CEI-28G-VSR and QSFP28 MSA. It is designed to deploy in the DWDM networking equipment in metropolitan access and core networks.

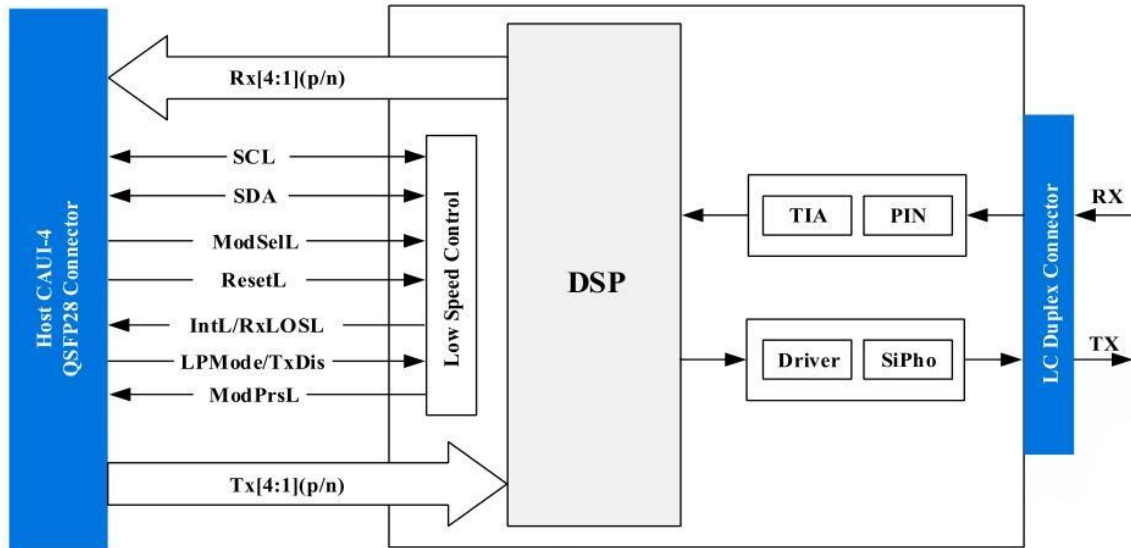


Figure 1:

Transceiver Block Diagram

Only one channel  $i$  ( $i=1, 2, 3, 4$ ) shown for simplicity

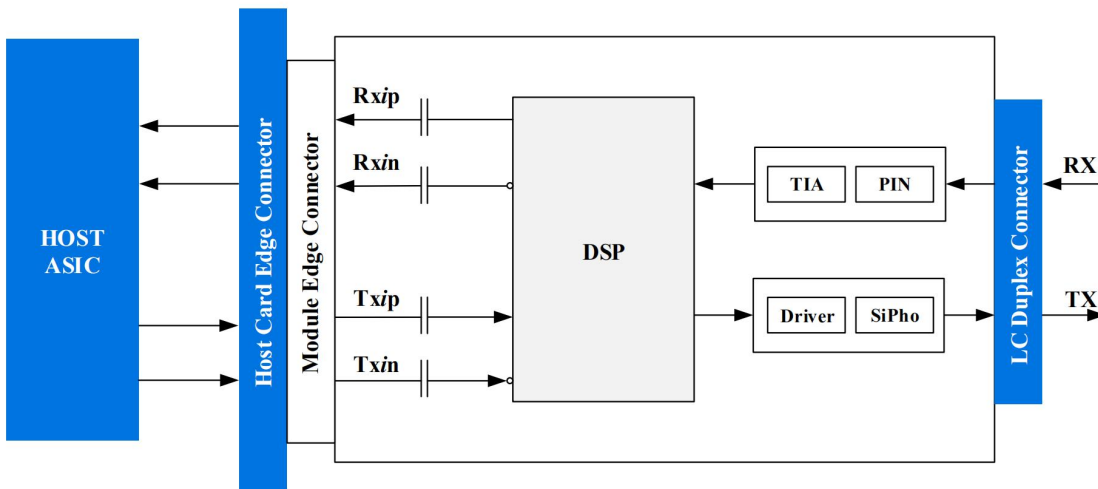


Figure 2: Application Reference Diagram

**Transmitter**

As shown in Figure 1, the transmitter path of the transceiver contains a 4x25Gbps CAUI-4 electrical input, integrated electrical multiplexer, SiPho driver, diagnostic monitor, control and bias for the MZ modulator and single mode laser source. The integrated electrical multiplexer converts 4 channels of 25Gbps (NRZ) electrical input data to 1 channel of 100Gbps (PAM4) optical signal.

## Receiver

As shown in Figure 1, the receiver path of the transceiver contains a PIN photodiode, trans-impedance amplifier (TIA), integrated de-multiplexer and 4x25Gbps CAUI-4 compliant electrical output block. The integrated de-multiplexer converts 1 channel of 100Gbps (PAM4) optical signal to 4 channels of 25Gbps (NRZ) electrical output data.

## High Speed Electrical Signal Interface

The interface between QSFP28 module and Host ASIC is shown in Figure 2. The high speed signal lines are internally AC-coupled and the electrical inputs are internally terminated to 100 Ohms differential. All transmitter and receiver electrical channels are compliant to CAUI-4 specification per IEEE 802.3cd.

## Control Signal Interface

The module has the following low speed signals for control and status: ModSell, ResetL, LPMode/TxDis, ModPrsL, IntL/RxLOSL. In addition, there is an industry standard two wire serial interface scaled for 3.3V LVTTTL. The definition of control signal interface and the registers of the serial interface memory are further defined in the Control Interface& Memory Map section.

## Handling and Cleaning

Exposure to current surges and overvoltage events can cause immediate damage to the transceiver module. Observe the precautions for normal operation of electrostatic discharge sensitive equipment, and attention should also be taken to restrict exposure to the conditions defined in the absolute maximum ratings.

Optical connectors will be exposed as long as the port plug is not inserted, so always pay attention to protection. Each module is equipped with a port guard plug to protect the optical ports. The protective plug shall always be in place whenever the optical fiber is not inserted. Before inserting the optical fiber, it is recommended to clean the end of the optical fiber connector to avoid contamination of the module optical port due to dirty connector. If contamination occurs, use standard LC port cleaning methods.

## Absolute Maximum Ratings

Exceeding the absolute maximum ratings table may cause permanent damage to the device. This is just an emphasized rating, and does not involve the functional operation of the device that exceeds the specifications of this technical specification under these or other conditions. Long-term operation under absolute maximum ratings will affect the reliability of the device.

**Table 1-Absolute Maximum Ratings**

| Parameter           | Symbol          | Min  | Typical | Max  | Units |
|---------------------|-----------------|------|---------|------|-------|
| Storage Temperature | T <sub>s</sub>  | -40  |         | +85  | °C    |
| Supply Voltage      | V <sub>cc</sub> | -0.5 |         | +3.6 | V     |
| Damage Threshold    | Rxdmg           | 5.5  |         |      | dBm   |

## Recommended Operating Conditions

For operations beyond the recommended operating conditions, optical and electrical characteristics are not defined, reliability is not implied, and such operations for a long time may damage the module.

**Table 2-Recommended Operating Conditions**

| Parameter                              | Symbol          | Min   | Typical  | Max   | Units | Notes |
|--|-----------------|-------|----------|-------|-------|-------|
| Operating Case Temperature             | T <sub>c</sub>  | 0     |          | 70    | degC  | 2     |
| Power Supply Voltage                   | V <sub>cc</sub> | 3.135 | 3.3      | 3.465 | V     |       |
| Operating Relative Humidity            | RH              | 5     |          | 85    | %     |       |
| Power Dissipation                      | P <sub>D</sub>  |       |          | 5.5   | W     |       |
| Electrical Signal Rate                 |                 |       | 25.78125 |       | Gbps  |       |
| Optical Signal Rate                    |                 |       | 53.125   |       | Gbaud |       |
| Power Supply Noise                     |                 |       |          | 66    | mVpp  | 3     |
| Receiver Differential Data Output Load |                 |       | 100      |       | Ohm   |       |
| Fiber Length (9μm SMF)                 |                 |       |          | 80    | Km    | 4     |

**Notes:**

1. Power supply specifications, instantaneous, sustained and steady state current are compliant with QSFP28 MSA power classification.
2. The position of case temperature measurement is shown in Figure 9. Continuous operation at the maximum recommended operating case temperature should be avoided in order not to degrade reliability.
3. Power supply noise is defined as the peak-to-peak noise amplitude over the frequency range at the host supply side of the recommended power supply filter with the module and recommended filter in place. Voltage levels including peak-to-peak noise are limited to the recommended operating range of the associated power supply. See Figure 7 for recommended power supply filter.
4. 9μm SMF. The maximum link distance is based on an allocation of 1dB of attenuation and 3dB total connection and splice loss. The loss of a single connection shall not exceed 0.5dB.

## Optical Characteristics

Unless otherwise stated, the following characteristics are defined under recommended operating conditions.

**Table 3-Optical Characteristics**

| Parameter                                       | Symbol | Min | Typical | Max | Units | Notes |
|---|--------|-----|---------|-----|-------|-------|
| <b>High Speed Transmitter (@TP2 Test Point)</b> |        |     |         |     |       |       |
| Signaling Speed                                 |        |     | 53.125  |     | Gbaud |       |

|   |                 |       |        |                      |       |   |
|---|-----------------|-------|--------|----------------------|-------|---|
| Center Wavelength Spacing                         |                 |       | 100    |                      | GHz   |   |
|   |                 |       | 0.8    |                      | nm    |   |
| Spectral Width (-20dB)                            | $\Delta\lambda$ |       |        | 0.3                  | nm    |   |
| Modulation Format                                 |                 |       | PAM4   |                      |       |   |
| Deviation From Central Frequency@EOL              |                 | -12.5 |        | 12.5                 | GHz   |   |
| Side-Mode Suppression Ratio                       | SMSR            | 30    |        |                      | dB    |   |
| Extinction Ratio                                  | ER              | 3.5   |        |                      | dB    |   |
| Transmit OMA                                      | TxOMA           | -4.8  |        | 4.2                  | dBm   |   |
| Transmit Average                                  | TxAVG           | -7    |        | 4                    | dBm   | 1 |
| Dispersion Tolerance                              | TD              | -40   |        | 20                   | ps/nm |   |
| Optical Return Loss Tolerance                     |                 |       |        | 17.1                 | dB    | 2 |
| <b>High Speed Receiver (@TP3 Test Point)</b>      |                 |       |        |                      |       |   |
| Signaling Speed                                   |                 |       | 53.125 |                      | Gbaud |   |
| Center Wavelength                                 | $\lambda_c$     | 1528  |        | 1566                 | nm    |   |
| Damage Threshold                                  | Rxdmg           | 5.5   |        |                      | dBm   |   |
| Receive Power (OMA Outer)                         | RxOMA           |       |        | 4.7                  | dBm   |   |
| Receiver Sensitivity (OMA Outer )                 | SenOMA          |       |        | Max (-4.5, SECQ-5.9) | dBm   | 3 |
| Receiver Reflectance                              |                 |       |        | -26                  | dB    |   |
| LOS Assert  | LOSA            | -15   |        |                      | dBm   |   |
| LOS De-Assert                                     | LOSD            |       |        | -12                  | dBm   |   |
| LOS Hysteresis                                    |                 | 0.5   | -      |                      | dB    |   |
| <b>Receiver Specification For Noise Condition</b> |                 |       |        |                      |       |   |
| Average Receive Power                             | RxAVG           | -3    |        | 4.5                  | dBm   | 4 |

**Note:**

1. Average launch power (min) is informative and not the principal indicator of signal strength. A transmitter with launch power below this value cannot be compliant; however, a value above this does not ensure compliance.
2. Transmitter reflectance is defined looking into the transmitter.
3. Sensitivity is specified at  $2.4 \times 10^{-4}$  BER with PRBS31Q
4. Receiver range is specified at  $BER < 2.4 \times 10^{-4}$  and OSNR is 34dB.

## Electrical Characteristics

Unless otherwise stated, the following characteristics are defined under recommended operating conditions.

**Table 4-Electrical Characteristics**

| Parameter                                  | Test Point | Min  | Typical | Max  | Units             | Condition | Notes |
|--|------------|------|---------|------|-------------------|-----------|-------|
| Transceiver Power Consumption              |            |      |         | 5.5  | W                 |           |       |
| Transceiver Power Supply Current, Total    |            |      |         | 1757 | mA                |           |       |
| Ac Coupling Capacitors (Internal)          |            |      | 0.1     |      | μF                |           |       |
| <b>High Speed Transmitter Input</b>        |            |      |         |      |                   |           |       |
| Differential pk-pk Input Voltage Tolerance | TP1a       | 900  |         |      | mV <sub>p-p</sub> |           |       |
| Differential Input Impedance               | TP1        | 90   | 100     | 110  | Ohm               |           |       |
| Output Rise/Fall Time                      | TP1a       | 10   |         |      | ps                | 20%~80%   |       |
| Eye Width                                  | TP1a       | 0.46 |         |      | UI                | 1E-15     |       |
| Eye Height , Differential                  | TP1a       | 95   |         |      | mV                | 1E-15     |       |
| Dc Common Mode Voltage (Vcm)               | TP1        | -350 |         | 2850 | mV                |           | 1     |
| <b>High Speed Output</b>                   |            |      |         |      |                   |           |       |
| Differential pk-pk Output Voltage          | TP4        |      |         | 900  | mV <sub>p-p</sub> |           |       |
| Differential Output Impedance              | TP4        | 90   | 100     | 110  | Ohm               |           |       |
| Output Rise/Fall Time                      | TP4        | 12   |         |      | ps                | 20%~80%   |       |
| Eye Width                                  | TP4        | 0.57 |         |      | UI                | 1E-15     |       |
| Eye Height Differential                    | TP4        | 228  |         |      | mV                | 1E-15     |       |
| Dc Common Mode Voltage (Vcm)               | TP4        | -350 |         | 2850 | mV                |           | 1     |

**Notes:**

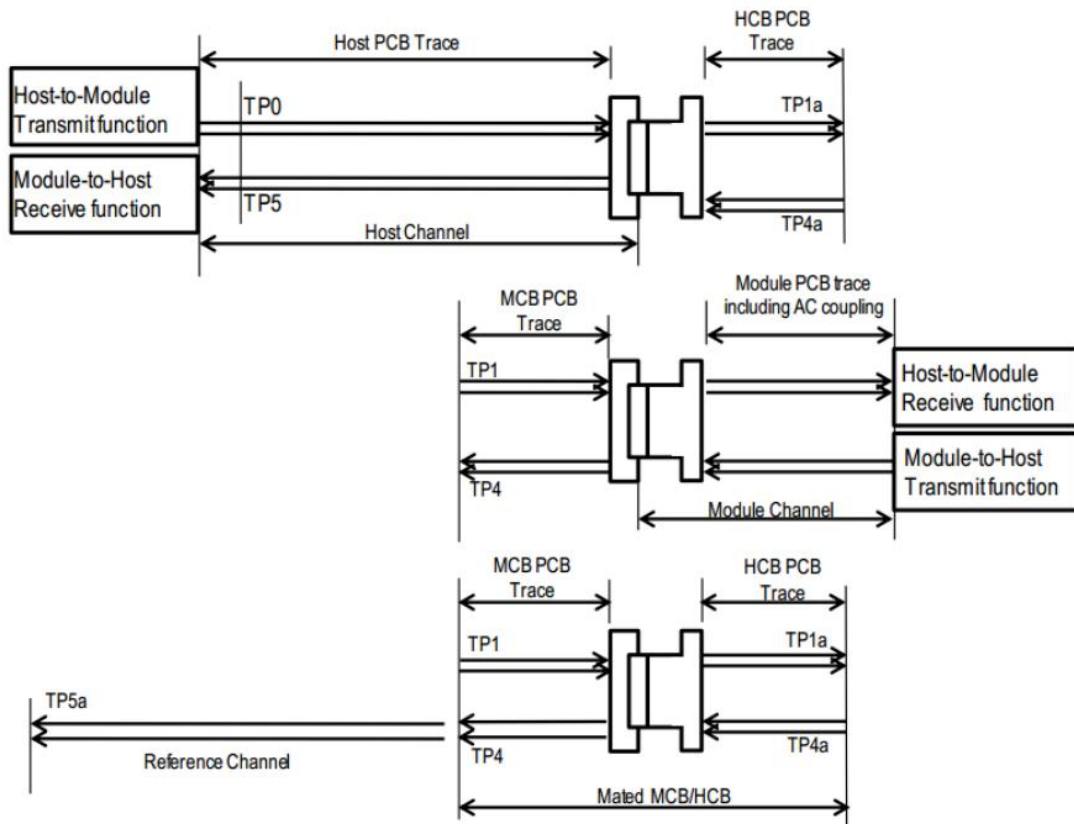
1. Vcm is generated by the host. Specification includes effects of ground offset voltage.

## Reference Points

**Table 5-Reference Points**

| Reference Point | Description  |
|-----------------|--|
| TP0             | Host ASIC transmitter output at ASIC package contact.  |
| TP1             | Input to module compliance board through mated module compliance board and module connector. Used to test module input.  |
| TP1a            | Host ASIC transmitter output through the host board and host card edge connector at the output of the host compliance board. Also used to calibrate module input compliance signals. |
| TP4             | Module output through the compliance board connectors at the output of the module compliance board. Also used to calibrate host input compliance signals.                            |
| TP4a            | Input to host compliance board. Used to test host input.   |
| TP5             | Input to host ASIC   |
| TP5a            | Far end module output through a reference channel.   |

Note: Individual standards may specify unique reference points.



**Figure 3: Reference points and compliance boards**

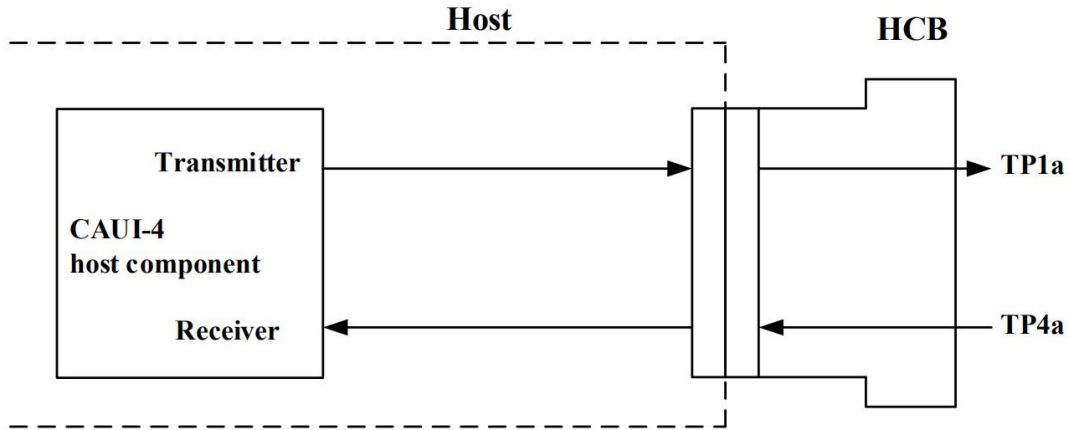


Figure 4: IEEE 802.3 CAUI-4 compliance points TP1a, TP4a

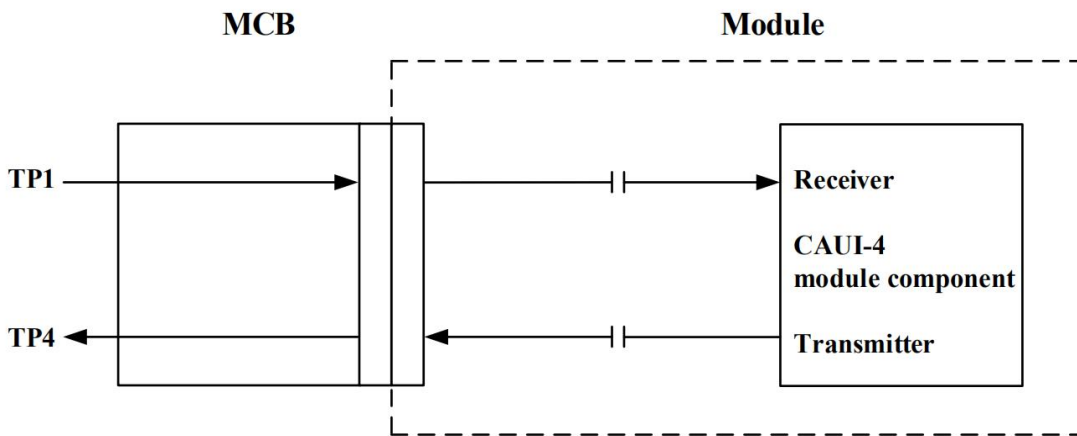


Figure 5: IEEE 802.3 CAUI-4 compliance points TP1, TP4



## Pin Assignment

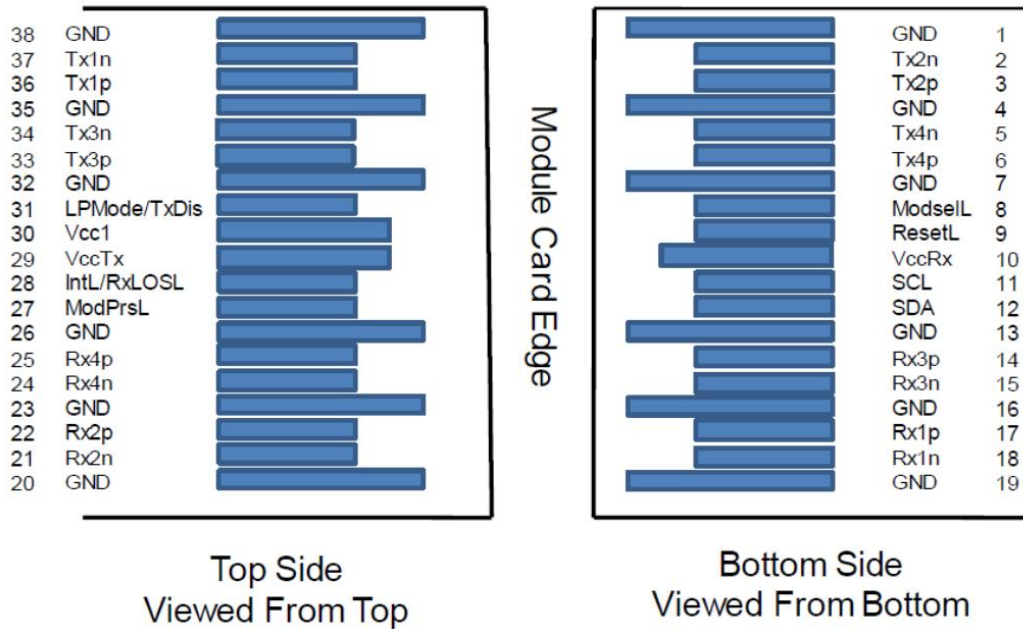


Figure 6: MSA Compliant Connector

## Pin Definition

Table 6-Pin Definition

| Pin | Logic       | Symbol  | Description                         | Plug Sequence | Note |
|-----|-------------|---------|-------------------------------------|---------------|------|
| 1   |             | GND     | Ground                              | 1             | 1    |
| 2   | CML-I       | Tx2n    | Transmitter Inverted Data Input     | 3             |      |
| 3   | CML-I       | Tx2p    | Transmitter Non-Inverted Data Input | 3             |      |
| 4   |             | GND     | Ground                              | 1             | 1    |
| 5   | CML-I       | Tx4n    | Transmitter Inverted Data Input     | 3             |      |
| 6   | CML-I       | Tx4p    | Transmitter Non-Inverted Data Input | 3             |      |
| 7   |             | GND     | Ground                              | 1             | 1    |
| 8   | LVTTTL-I    | ModSelL | Module Select                       | 3             |      |
| 9   | LVTTTL-I    | ResetL  | Module Reset                        | 3             |      |
| 10  |             | VccRx   | +3.3V Power Supply Receiver         | 2             | 2    |
| 11  | LVC MOS-I/O | SCL     | 2-Wire Serial Interface Clock       | 3             |      |
| 12  | LVC MOS-I/O | SDA     | 2-Wire Serial Interface Data        | 3             |      |
| 13  |             | GND     | Ground                              | 1             | 1    |

|    |          |                  |   |   |   |
|----|----------|------------------|---|---|---|
| 14 | CML-O    | Rx3p             | Receiver Non-Inverted Data Output   | 3 |   |
| 15 | CML-O    | Rx3n             | Receiver Inverted Data Output   | 3 |   |
| 16 |          | GND              | Ground  | 1 | 1 |
| 17 | CML-O    | Rx1p             | Receiver Non-Inverted Data Output   | 3 |   |
| 18 | CML-O    | Rx1n             | Receiver Inverted Data Output   | 3 |   |
| 19 |          | GND              | Ground  | 1 | 1 |
| 20 |          | GND              | Ground  | 1 | 1 |
| 21 | CML-O    | Rx2n             | Receiver Inverted Data Output   | 3 |   |
| 22 | CML-O    | Rx2p             | Receiver Non-Inverted Data Output   | 3 |   |
| 23 |          | GND              | Ground  | 1 | 1 |
| 24 | CML-O    | Rx4n             | Receiver Inverted Data Output   | 3 |   |
| 25 | CML-O    | Rx4p             | Receiver Non-Inverted Data Output   | 3 |   |
| 26 |          | GND              | Ground  | 1 | 1 |
| 27 | LVTTTL-O | ModPrsL          | Module Present  | 3 |   |
| 28 | LVTTTL-O | IntL/<br>RxLOSL  | Interrupt. Optionally configurable as RxLOSL via the management interface | 3 |   |
| 29 |          | VccTx            | +3.3V Power Supply Transmitter  | 2 | 2 |
| 30 |          | Vcc1             | +3.3V Power Supply  | 2 | 2 |
| 31 | LVTTTL-I | LPMoDe/<br>TxDis | Low Power Mode. Optionally configurable as TxDis via the                  | 3 |   |
| 32 |          | GND              | Ground  | 1 | 1 |
| 33 | CML-I    | Tx3p             | Transmitter Non-Inverted Data Input                                       | 3 |   |
| 34 | CML-I    | Tx3n             | Transmitter Inverted Data Input   | 3 |   |
| 35 |          | GND              | Ground  | 1 | 1 |
| 36 | CML-I    | Tx1p             | Transmitter Non-Inverted Data Input                                       | 3 |   |
| 37 | CML-I    | Tx1n             | Transmitter Inverted Data Input   | 3 |   |
| 38 |          | GND              | Ground  | 1 | 1 |

**Notes:**

1. GND is the symbol for signal and supply (power) common for the module. All are common within the module and all module voltages are referenced to this potential unless otherwise noted. Connect them directly to the host board signal-common ground plane.
2. VccRx, Vcc1 and VccTx are the receiving and transmission power suppliers and applied concurrently. VccRx, Vcc1 and VccTx are internally connected within the module in any combination. Vcc contacts in SFF-8662 and SFF-8672 each have a steady state current rating of 1A.

## Recommended Power Supply Filter

During power transient events, the host should ensure that any neighboring modules sharing the same supply stay within their specified supply voltage limits. The host should also ensure that the intrinsic noise of the power rail is filtered in order to guarantee the correct operation of the optical modules.

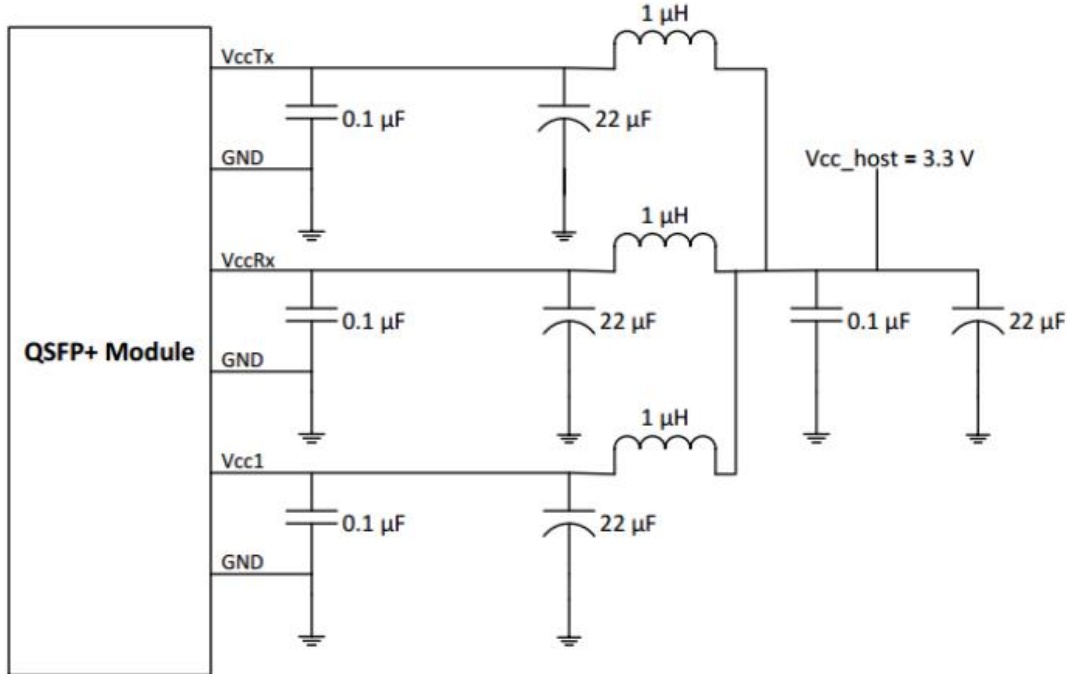


Figure 7: Host Board Power Supply Filter

## Control Interface & Memory Map

The control interface combines dedicated signal lines for ModSelL, ResetL, LPMoDe/TxDis, ModPrsL, IntL/RxLOSL, two-wire serial interface clock (SCL) and data (SDA), signals to provide users rich functionality over an efficient and easily used interface.

### ModSelL

ModSelL is an input signal. When held low by the host, the module responds to two-wire serial communication commands. When ModSelL is high, the module can't respond to or acknowledge any two-wire interface communication from the host. The ModSelL signal input node is pulled up towards Vcc in the module with a resistor of 10k . In order to avoid conflicts, the host system won't attempt two-wire interface communications within the ModSelL de-assert time after any modules are deselected. Similarly, the host will wait at least for the period of the ModSelL assert time before communicating with the newly selected module.

### ResetL

The ResetL signal is pulled up towards Vcc in the module with a resistor of 10k . A low level on ResetL for longer than 10µs initiates a complete module reset, returning all user module settings to their default state.

### **LPMoDe/TxDiS**

LPMoDe/TxDiS is a dual-mode input signal from the host operating with active high logic. It is pulled up towards Vcc in the module with a resistor of 10k . At power-up or after ResetL is de-asserted, the LPMoDe/TxDiS behaves as LPMoDe. LPMoDe/TxDiS can be configured as TxDiS using the two-wire interface except during the execution of a reset.

When LPMoDe/TxDiS is configured as LPMoDe, the module behaves as though TxDiS=0. By using the LPMoDe signal and a combination of the Power\_override, Power\_set and High\_Power\_Class\_Enable software control bits (SFF-8636, Address A0h, Byte 93 bits 0,1,2), the host controls how much power a module can consume.

When LPMoDe/TxDiS is configured as TxDiS, the module behaves as though LPMoDe=0. In this mode LPMoDe/TxDiS when set to 1 or 0 disables or enables all optical transmitters within the times specified in SFF-8636.

Changing LPMoDe/TxDiS mode from LPMoDe to TxDiS when the LPMoDe/TxDiS state is high disables all optical transmitters. If the module was in low power mode, then the module transitions out of low power mode at the same time. If the module is already in high power state with transmitters already enabled, the module will disable all optical transmitters.

Changing the LPMoDe/TxDiS mode from LPMoDe to TxDiS when the LPMoDe/TxDiS state is low simply changes the behavior of the mode of LPMoDe/TxDiS. The behavior of the module depends on the Power Override control bits.

### **ModPrsL**

ModPrsL is pulled up towards Vcc on the host board and pulled towards ground in the module. ModPrsL is pulled low when inserted and released to high when it is physically absent from the host connector.

### **IntL/RxLOSL**

IntL/RxLOSL is a dual-mode active-low, open-collector output signal from the module. It is pulled up towards Vcc on the host board with a resistor of 10k . At power-up or after ResetL is released to high, IntL/RxLOSL is configured as IntL. IntL/RxLOSL can be optionally programmed as RxLOSL using the two-wire interface except during the execution of a reset.

If IntL/RxLOSL is configured as IntL, a low indicates a possible module operational fault or a module condition that sets an unmasked flag as defined in SFF-8636. The source of the IntL “low” can be read, cleared or masked using the two-wire interface. If the interrupt was after a module reset and SFF-8636,

Page 00h, Byte 2, bit 0 (Data\_Not\_Ready bit) is 0, then the module releases IntL to high after the host has read the Data\_Not\_Ready bit. For all other interrupt causes, the module releases IntL to high after the host has read the flag associated with the cause of the interrupt.

If IntL/RxLOSL is configured as RxLOSL, a low indicates that there is a loss of received optical power on at least one lane, a high indicates that there is no loss of received optical power. The module pulls RxLOSL to low if any lane in a multiple lane module has a LOS condition and release RxLOSL to high only if no lane has a LOS condition.

## SCL and SDA

The SCL and SDA is a hot plug interface that can support a bus topology. During module insertion or removal, the module will implement a pre-charge circuit which prevents corrupting data transfers from other modules that are already using the bus.

## Control Interface Electrical Specifications

| Parameter                                 | Symbol | Min     | Max     | Unit |
|---|--------|---------|---------|------|
| SCL and SDA                               | VOL    | 0       | 0.4     | V    |
|   | VOH    | VCC-0.5 | VCC+0.3 | V    |
| SCL and SDA                               | VIL    | -0.3    | VCC*0.3 | V    |
|   | VIH    | VCC*0.7 | VCC+0.5 | V    |
| Capacitance on SCL and SDA I/O Contact    | Ci     |         | 14      | pF   |
| Total bus capacitive load for SCL and SDA | Cb     |         | 100     | pF   |
|   |        |         | 200     | pF   |
| LPMode/TxDis, ResetL and ModSelL          | VIL    | -0.3    | 0.8     | V    |
|   | VIH    | 2       | Vcc+0.3 | V    |
|   | Iin    | -365    | 125     | µA   |
| ModPrsL and IntL/RxLOSL                   | VOL    | 0       | 0.4     | V    |
|   | VOH    | Vcc-0.5 | Vcc+0.3 | V    |

Note: Positive values indicate current flowing into the module

## Memory Map

The memory is structured as a single address, multiple page approach and is compliant with the QSFP28 MSA. The module meets the following requirements:

1. The module initialize in hardware mode when LPMode is de-asserted.
2. The transmitter is disabled when the module is held in reset.

3. Tx Squelch function is implemented as defined by the QSFP28 MSA. When squelched, the transmitter remains on with the modulation turned off.

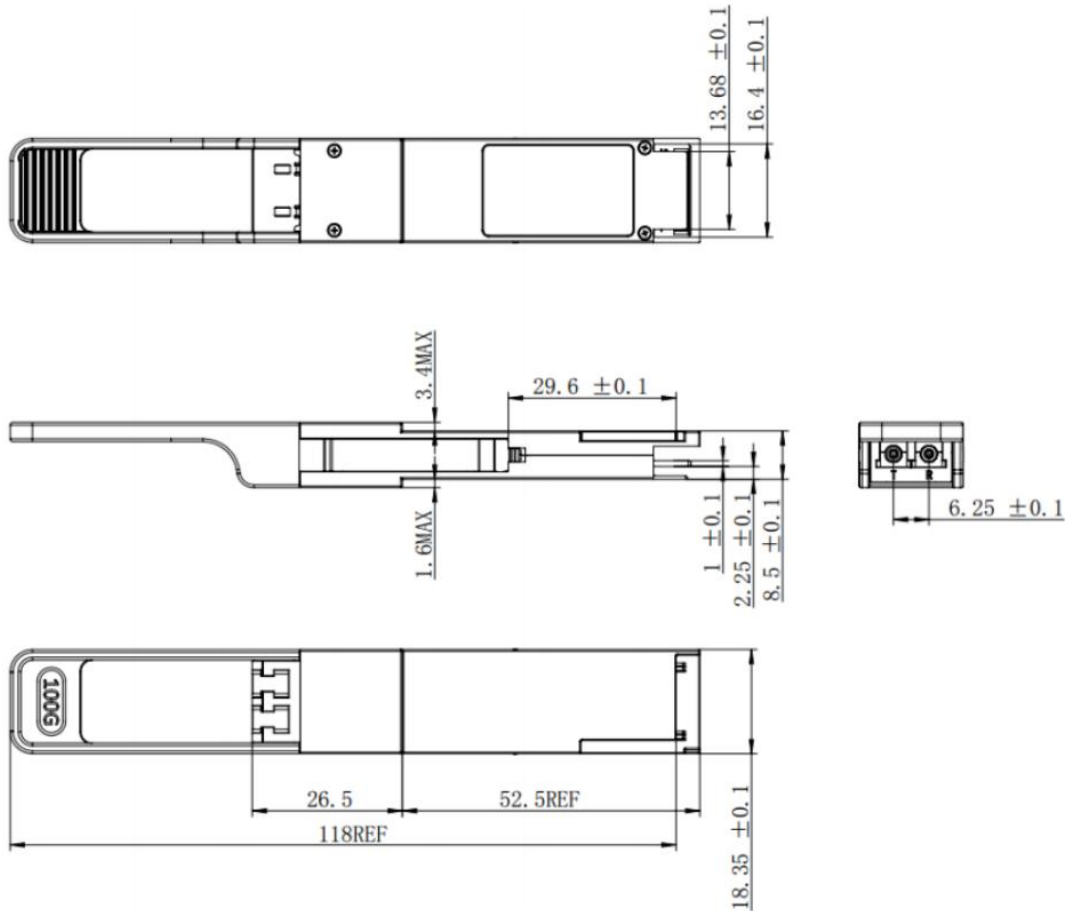
4. Rx Squelch function is implemented as defined by the QSFP28 MSA. When RxLOSL is asserted, the receiver output is squelched.

| From                                  | To  | Content                                    | No. of bytes | Type       |
|---------------------------------------|-----|--|--------------|------------|
| <b>2-Wire Serial Address 1010000x</b> |     |  |              |            |
| <b>Lower Page 00h</b>                 |     |  |              |            |
| 0                                     | 2   | ID and Status                              | 3            | Read-Only  |
| 3                                     | 21  | Interrupt Flags (Clear on read)            | 19           | Read-Only  |
| 22                                    | 33  | Free Side Device Monitors                  | 12           | Read-Only  |
| 34                                    | 81  | Channel Monitors                           | 48           | Read-Only  |
| 82                                    | 85  | Reserved                                   | 4            | Read-Only  |
| 86                                    | 99  | Control                                    | 14           | Read/Write |
| 100                                   | 106 | Free Side Interrupt Masks                  | 7            | Read/Write |
| 107                                   | 110 | Free Side Device Properties                | 4            | Read-Only  |
| 111                                   | 112 | Assigned to PCI Express                    | 2            | Read/Write |
| 113                                   | 116 | Free Side Device Properties                | 4            | Read-Only  |
| 117                                   | 118 | Reserved                                   | 2            | Read/Write |
| 119                                   | 122 | Optional Password Change                   | 4            | Write-Only |
| 123                                   | 126 | Optional Password Entry                    | 4            | Write-Only |
| 127                                   | 127 | Page Select Byte                           | 1            | Read/Write |
| <b>Upper Page 00h</b>                 |     |  |              |            |
| 128                                   | 128 | Identifier                                 | 1            | Read-Only  |
| 129                                   | 191 | Base ID Fields                             | 63           | Read-Only  |
| 192                                   | 223 | Extended ID                                | 32           | Read-Only  |
| 224                                   | 255 | Vendor Specific ID                         | 32           | Read-Only  |
| <b>Page 01h (Optional)</b>            |     |  |              |            |
| 128                                   | 255 | Reserved (previously for SFF-8079 support) | 128          | Read-Only  |
| <b>Page 02h (Optional)</b>            |     |  |              |            |
| 128                                   | 255 | User EEPROM Data                           | 128          | Read/Write |
| <b>Page 03h (Optional)</b>            |     |  |              |            |
| 128                                   | 175 | Free Side Device Thresholds                | 48           | Read-Only  |
| 176                                   | 223 | Channel Thresholds                         | 48           | Read-Only  |
| 224                                   | 229 | Tx EQ, Rx Output and TC Support            | 6            | Read-Only  |
| 230                                   | 241 | Channel Controls                           | 12           | Read/Write |
| 242                                   | 251 | Channel Monitor Masks                      | 10           | Read/Write |
| 252                                   | 255 | Reserved                                   | 4            | Read/Write |
| <b>Pages 04h-1Fh (Optional)</b>       |     |  |              |            |
| 128                                   | 255 | Vendor Specific                            | 128          | Read/Write |
| <b>Pages 20h-21h (Optional)</b>       |     |  |              |            |
| 128                                   | 255 | PAM-4 and WDM Features                     | 128          | Read/Write |
| <b>Pages 22h-7Fh (Optional)</b>       |     |  |              |            |
| 128                                   | 255 | Reserved                                   | 128          | Read/Write |
| <b>Pages 80h-FFh (Optional)</b>       |     |  |              |            |
| 128                                   | 255 | Vendor Specific                            | 128          | Read/Write |

Figure 8: QSFP28 MIS Module Memory Map

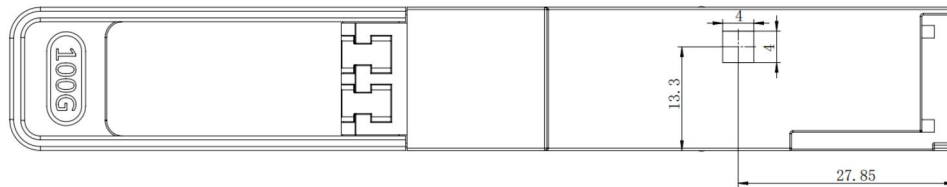
## Mechanical Dimensions

The module is designed to meet the package outline defined in the QSFP28 MSA specification. See the package outline for details.

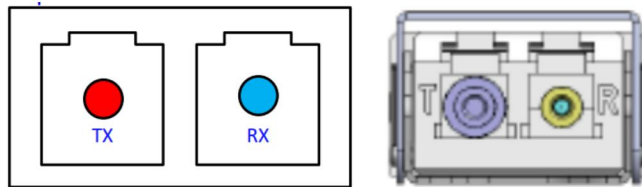


**Figure 9: Mechanical Package Outline (Unit: mm)**

The below picture shows the location of the hottest spot for measuring module case temperature. In addition, the digital diagnostic monitors (DDM) temperature is also calibrated to this spot.



**Figure 10: Case Temperature Measurement Point (Unit: mm)**



**Figure 11: Module Optical Interface (looking into the optical port)**



## Ordering Information

| Part Number      | Product Description   |
|------------------|---|
| QSP-100DCxx-80CL | 100G QSFP28 DWDM, CH15~CH61, DWDM Wavelengths, Dual LC Connectors, 80km reach, with DDM |

## Wavelength Table

| Ch. No. | Frequency (THz) | Center Wavelength(nm) | Ch. No. | Frequency (THz) | Center Wavelength(nm) |
|---------|-----------------|-----------------------|---------|-----------------|-----------------------|
| C15     | 191.50          | 1565.50               | C16     | 191.60          | 1564.68               |
| C17     | 191.70          | 1563.86               | C18     | 191.80          | 1563.05               |
| C19     | 191.90          | 1562.23               | C20     | 192.00          | 1561.42               |
| C21     | 192.10          | 1560.61               | C22     | 192.20          | 1559.79               |
| C23     | 192.30          | 1558.98               | C24     | 192.40          | 1558.17               |
| C25     | 192.50          | 1557.36               | C26     | 192.60          | 1556.55               |
| C27     | 192.70          | 1555.75               | C28     | 192.80          | 1554.94               |
| C29     | 192.90          | 1554.13               | C30     | 193.00          | 1553.33               |
| C31     | 193.10          | 1552.52               | C32     | 193.20          | 1551.72               |
| C33     | 193.30          | 1550.92               | C34     | 193.40          | 1550.12               |
| C35     | 193.50          | 1549.32               | C36     | 193.60          | 1548.51               |
| C37     | 193.70          | 1547.72               | C38     | 193.80          | 1546.92               |
| C39     | 193.90          | 1546.12               | C40     | 194.00          | 1545.32               |
| C41     | 194.10          | 1544.53               | C42     | 194.20          | 1543.73               |
| C43     | 194.30          | 1542.94               | C44     | 194.40          | 1542.14               |
| C45     | 194.50          | 1541.35               | C46     | 194.60          | 1540.56               |
| C47     | 194.70          | 1539.77               | C48     | 194.80          | 1538.98               |
| C49     | 194.90          | 1538.19               | C50     | 195.00          | 1537.40               |
| C51     | 195.10          | 1536.61               | C52     | 195.20          | 1535.82               |
| C53     | 195.30          | 1535.04               | C54     | 195.40          | 1534.25               |
| C55     | 195.50          | 1533.47               | C56     | 195.60          | 1532.68               |
| C57     | 195.70          | 1531.90               | C58     | 195.80          | 1531.12               |
| C59     | 195.90          | 1530.33               | C60     | 196.00          | 1529.55               |
| C61     | 196.10          | 1528.77               |         |                 |                       |

## ESD

The QSP-100DCxx-80CL modules comply with the ESD requirements described in the regulatory compliance table. However, in the normal processing and operation of optical transceiver, the following two types of situations need special attention.

Case I: Before inserting the transceiver into the rack meeting the requirements of QSFP28 MSA, ESD preventive measures must be taken to protect the equipment. For example, the grounding wrist strap, workbench and floor should be used wherever the transceiver is handled.



Case II: After the transceiver is installed, the electrostatic discharge outside the chassis of the host equipment shall be within the scope of system level ESD requirements. If the optical interface of the transceiver is exposed outside the host equipment cabinet, the transceiver may be subject to equipment system level ESD requirements.

## EMI

Communication equipment with optical transceivers is usually regulated by FCC in the United States and CENELEC EN55032 (CISPR 32) in Europe. The compliance of QSP-100DCxx-80CL with these standards is detailed in the regulatory compliance table. The metal shell and shielding design of QSP-100DCxx-80CL will help equipment designers minimize the equipment level EMI challenges they face.


## Flammability

The QSP-100DCxx-80CL optical transceiver meets UL certification requirements, its constituent materials have heat and corrosion resistance, and the plastic parts meet UL94V-0 requirements.

## Regulatory Compliance

Various standard and regulations apply to the QSP-100DCxx-80CL modules. These include Eye-Safety, Component Recognition, RoHS, ESD, EMC and Immunity. Please note the transmitter module is a Class 1 laser product. See regulatory compliance table for details.

## Regulatory Compliance Table

| Feature  | Test Method  | Performance   |
|--|--|---|
| Laser Eye Safety and Equipment Type Testing<br><br> | (IEC) EN 62368-1:2014+A11 (IEC) EN 60825-1:2014 (IEC) EN 60825-2:2004+A1+A2  | CDRH Accession Number:2132182-000<br>TUV File: R 50457725 0001 CB File: JPTUV-100513  |
| Component Recognition  | Underwriters Laboratories (UL) and Canadian Standards Association (CSA) Joint Component Recognition for Information Technology Equipment | UL File: E317337  |
| RoHS Compliance  | RoHS Directive 2011/65/EU&(EU)2015/863   | Less than 100 ppm of cadmium. Less than 1000 ppm lead, mercury, hexavalent chromium, poly brominated biphenyls (PPB) , poly brominated biphenyl ethers (PBDE), dibutyl phthalate, butyl benzyl phthalate, bis (2- |

|   |   |  |
|---|---|--|
|   |   | ethylhexyl) phthalate and diisobutyl phthalates.   |
| Electrostatic Discharge (ESD) to the Electrical Contacts          | JEDEC Human Body Model (HBM) (JESD22-A114-B)  | High speed contacts shall withstand 1000V. All other contacts shall withstand 2000 V.  |
| Electrostatic Discharge (ESD) to the Optical Connector Receptacle | IEC 61000-4-2:2008                            | When installed in a properly grounded housing and chassis the units are subjected to 15kV air discharges during operation and 8kV direct discharges to the case. |
| Electromagnetic Interference (EMI)                                | FCC Part 15 Class B; CISPR 32 (EN55032) 2015; | System margins are dependent on customer board and chassis design.   |
| Immunity  | IEC 61000-4-3:2010; EN55035:2017              | Typically shows no measurable effect from a 10V/m field swept from 80 MHz to 1 GHz applied to the module without a chassis enclosure.                            |

AscentOptics reserves the right to make changes to the product(s) or information contained herein without notice. No liability is assumed as a result of their use or application. No rights under any patent accompany the sale of any such product(s) or information. Published by Ascent Optics Co.,Ltd. Copyright © Ascent Optics All Rights Reserved.

E-mail: [sales@ascentoptics.com](mailto:sales@ascentoptics.com)  
Web : <http://www.ascentoptics.com>