

XFP-10DWxx-40C

10Gbps XFP DWDM Transceiver, Single Mode, 40km Reach

Features

- Supports 8.0Gb/s to 11.1Gb/s bit rates
- Hot-pluggable XFP footprint, Built-in digital diagnosis
- Maximum link length of 40km with SMF
- 100GHz ITU, C Band DWDM Cooled EML laser and PIN photodiode
- XFP MSA package with duplex LC connector
- No reference clock required
- Single +3.3V power supply
- Power dissipation <3.5W
- Compatible with RoHS
- Temperature range: 0 to +70°C



Applications

- 10G DWDM Networks
- SONET OC-192&SDH STM-64 at 9.953Gbps
- 10G Ethernet Applications
- 10G Fiber Channel Applications
- 10GE over G.709 at 11.09Gbps
- OC192 over FEC at 10.709Gbps
- Other optical links, up to 11.1Gbps

Description

The XFP module is compliant with the 10G Small Form-Factor Pluggable (XFP) Multi-Source Agreement (MSA), supporting data-rate of 8.0~11.1Gbps, and transmission distance up to 40km on SMF.

The transceiver module comprises a transmitter with 100GHz C Band 1528.77~1563.86nm DWDM Cooled EML laser and a receiver with a PIN photodiode. Transmitter and receiver are separate within a wide temperature range and offers optimum heat dissipation and excellent electromagnetic shielding thus enabling high port densities for 10 Gbps systems.

Absolute Maximum Ratings

Table 1- Absolute Maximum Ratings

Parameter	Symbol	Min	Max	Unit
Supply Voltage	V _{cc}	-0.5	4.5	V
Storage Temperature	T _s	-40	+85	°C
Operating Humidity	-	5	85	%

Any stress beyond the maximum ratings can result in permanent damage. The device specifications are guaranteed only under the recommended operating conditions.

Recommended Operating Conditions

Table 2- Recommended Operating Conditions

Parameter	Symbol	Min	Typical	Max	Unit
Operating Case Temperature	T _c	-5		+70	°C
Power Supply Voltage @3.3V	V _{cc}	3.135	3.30	3.465	V
Power Supply Current	I _{cc}			1000	mA
Data Rate		9.95		11.1	Gbps

Optical and Electrical Characteristics

Table 3- Optical and Electrical Characteristics

Parameter	Symbol	Min	Typical	Max	Unit	Notes
Transmitter						
Centre Wavelength	λ_c	1528.77		1563.86	nm	
Spectral Width (-20dB)	$\Delta\lambda$			1	nm	
Side-Mode Suppression Ratio	SMSR	30			dB	
Center Wavelength Spacing			100		GHz	
Average Output Power	P _{out}	-1		+2	dBm	1
Extinction Ratio	ER	8.2			dB	
Data Input Swing Differential	V _{IN}	180		950	mV	2

Input Differential Impedance		Z _{IN}	90	100	110	Ω	
TX Disable	Disable		2.0		V _{cc}	V	
	Enable		0		0.8	V	
Receiver							
Centre Wavelength		λ _c	1450		1620	nm	
Receiver Sensitivity					-16	dBm	3
Receiver Overload			0.5			dBm	3
LOS De-Assert		LOS _D			-17	dBm	
LOS Assert		LOS _A	-26			dBm	
LOS Hysteresis			0.5		4	dB	
Data Output Swing Differential		V _{out}	400	600	800	mV	2
LOS		High	2.0		V _{cc}	V	
		Low			0.8	V	

Notes:

1. The optical power is launched into SMF.
2. Internally AC-coupled.
3. Measured with a PRBS 231-1 test pattern @9953Mbps, BER ≤1×10⁻¹².

Pin Descriptions

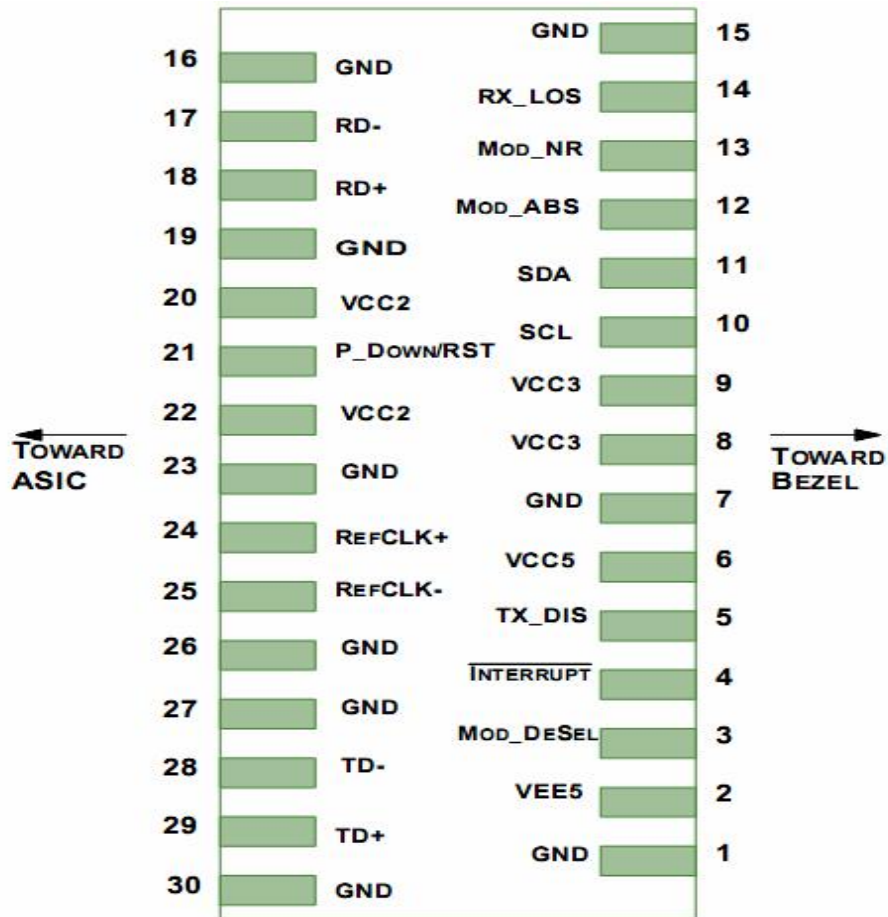
Table 4- Pin Descriptions

Pin	Logic	Symbol	Name/Description	Re
1		GND	Module Ground	1
2		VEE5	Optional -5.2 Power Supply – Not required	
3	LVTTTL-I	Mod-Desel	Module De-select; When held low allows the module to, respond to 2-wire serial interface commands	
4	LVTTTL-O	Interrupt	Interrupt (bar); Indicates presence of an important condition which can be read over the serial 2-wire interface	2
5	LVTTTL-I	TX_DIS	Transmitter Disable; Transmitter laser source turned off	
6		VCC5	+5 Power Supply – Not required	
7		GND	Module Ground	1
8		VCC3	+3.3V Power Supply	
9		VCC3	+3.3V Power Supply	
10	LVTTTL-I	SCL	Serial 2-wire interface clock	2

11	LVTTL-I/O	SDA	Serial 2-wire interface data line	2
12	LVTTL-O	Mod_Abs	Module Absent; Indicates module is not present. Grounded in the module.	2
13	LVTTL-O	Mod_NR	Module Not Ready;	2
14	LVTTL-O	RX_LOS	Receiver Loss of Signal indicator	2
15		GND	Module Ground	1
16		GND	Module Ground	1
17	CML-O	RD-	Receiver inverted data output	
18	CML-O	RD+	Receiver non-inverted data output	
19		GND	Module Ground	1
20		VCC2	+1.8V Power Supply – Not required	
21	LVTTL-I	P_Down/RS	Power Down; When high, places the module in the low power stand-by mode and on the falling edge of P_Down initiates a module reset	
			Reset; The falling edge initiates a complete reset of the module including the 2-wire serial interface, equivalent to a power cycle.	
22		VCC2	+1.8V Power Supply – Not required	
23		GND	Module Ground	1
24	PECL-I	RefCLK+	Reference Clock non-inverted input, AC coupled on the host board – Not required	3
25	PECL-I	RefCLK-	Reference Clock inverted input, AC coupled on the host board – Not required	3
26		GND	Module Ground	1
27		GND	Module Ground	1
28	CML-I	TD-	Transmitter inverted data input	
29	CML-I	TD+	Transmitter non-inverted data input	
30		GND	Module Ground	1

Notes:

1. Module circuit ground is isolated from module chassis ground within the module.
2. Open collector, should be pulled up with 4.7k – 10k ohms on host board to a voltage between 3.15V and 3.6V.
3. A Reference Clock input is not required.

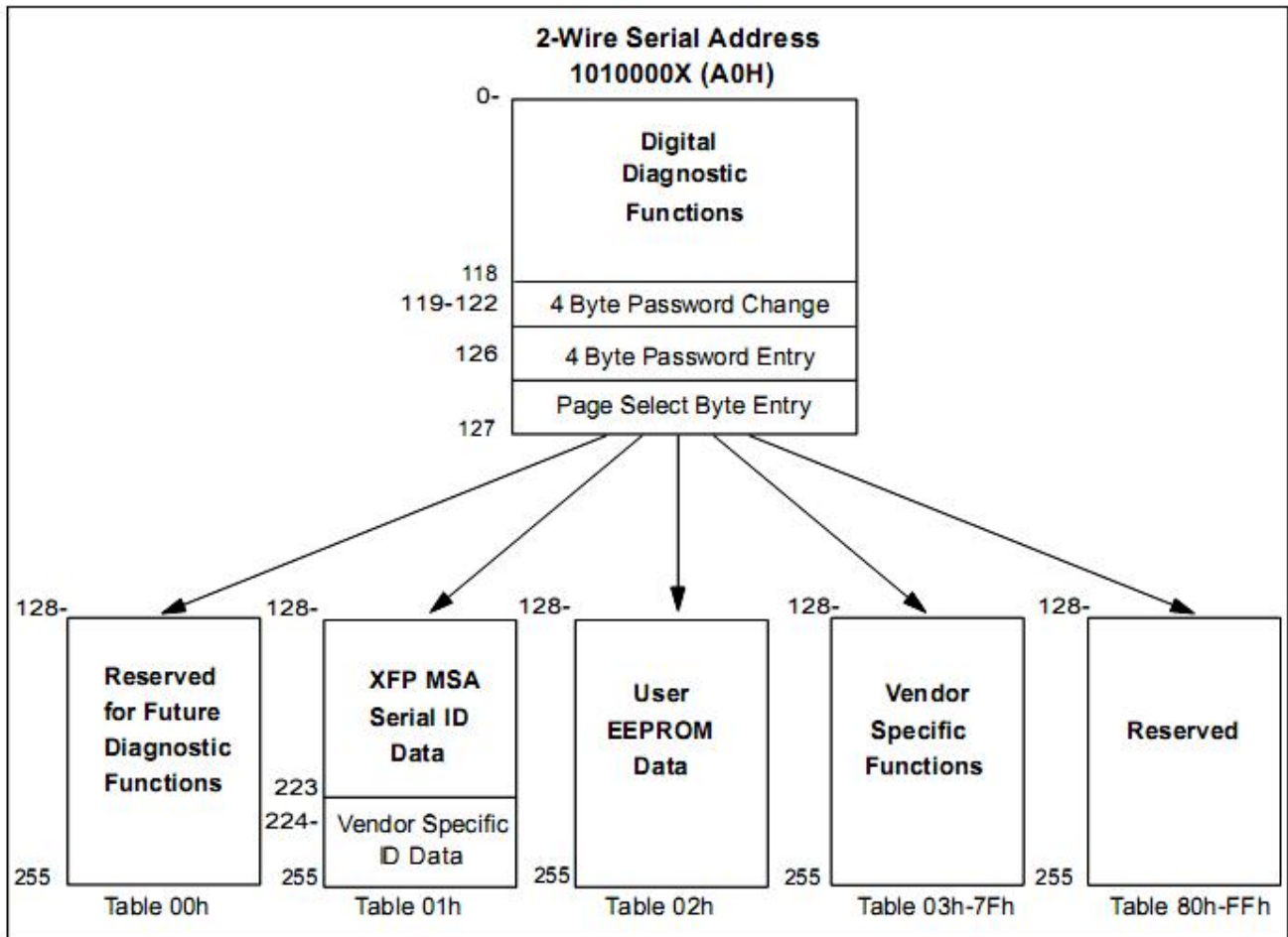


Management Interface

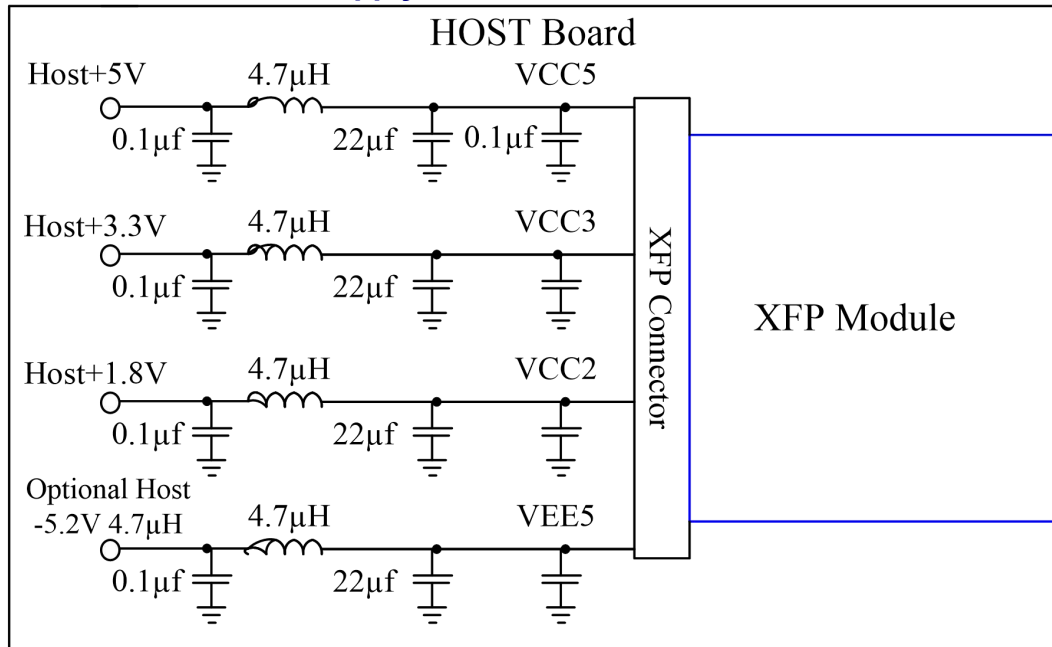
The transceivers provide serial ID memory contents and diagnostic information about the present operating conditions by the 2-wire serial interface (SCL, SDA).

The Module provides diagnostic information about the present operating conditions. The transceiver generates this diagnostic data by digitization of internal analog signals. Alarm/warning threshold data is written during device manufacture. Received power monitoring, transmitted power monitoring, bias current monitoring, supply voltage monitoring and temperature monitoring all are implemented.

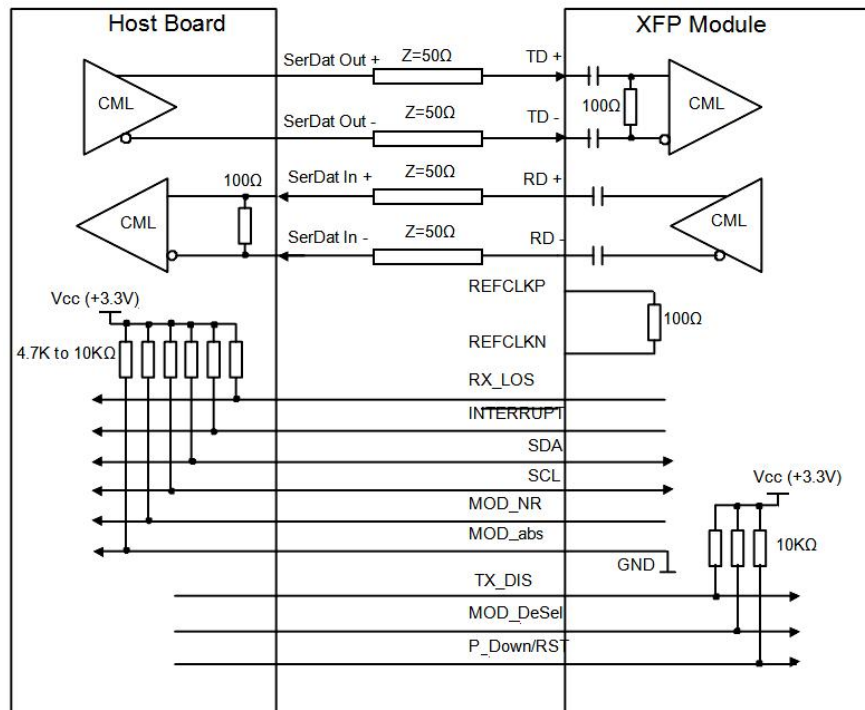
The digital diagnostic memory map specific data field defines as following.



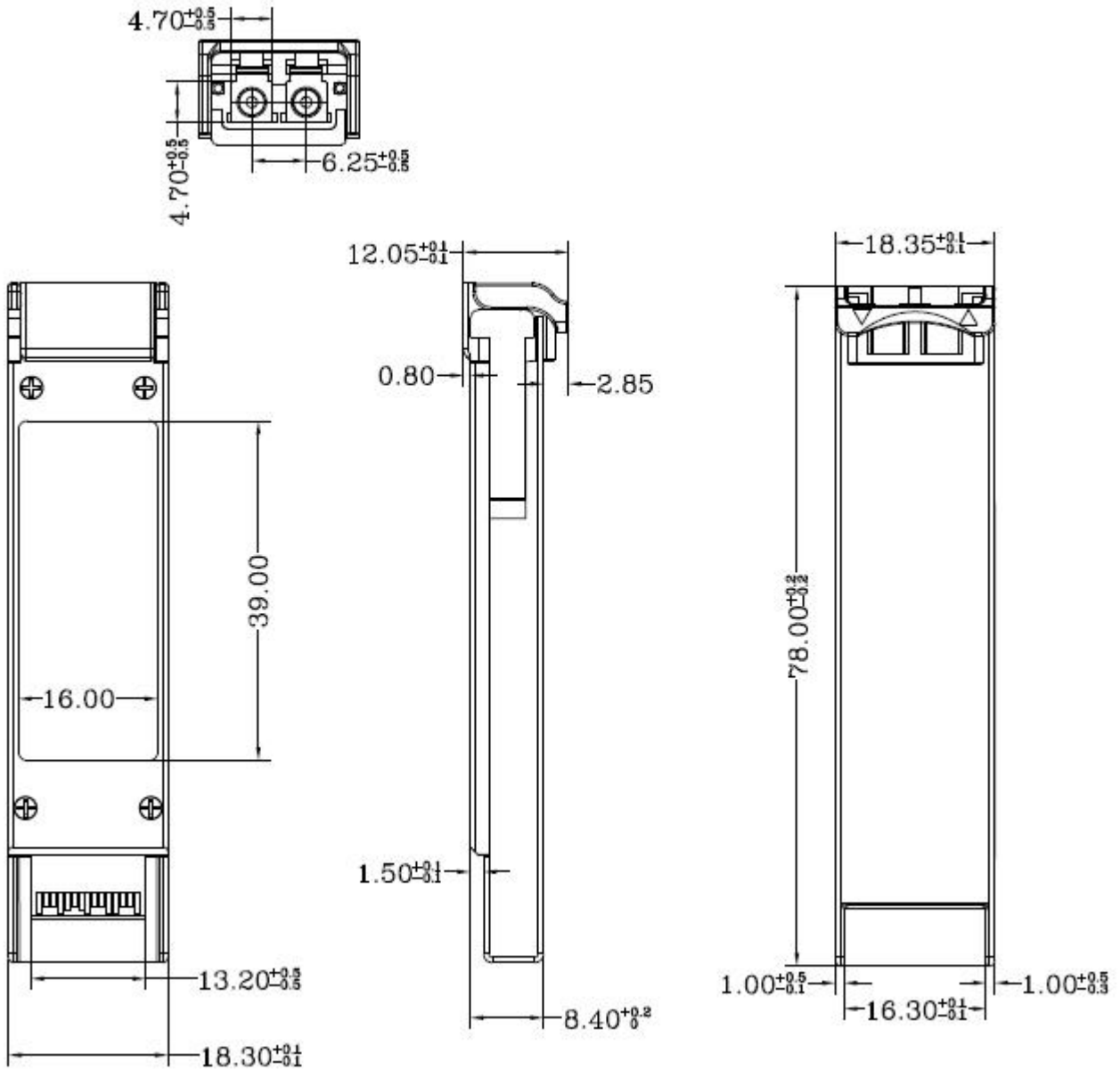
Recommended Host Board Power Supply Circuit



Recommended High-speed Interface Circuit



Mechanical Specifications



Ordering information

Table 5- Ordering information

Part Number	Product Description
XFP-10DWxx-40C	10Gbps,DWDM XFP xxxx.xnm 40km, 0°C to 70°C

Ordering Information - ITU grid wavelengths and frequencies are represented by the DWDM channel code XX field in the part number:

Table 6: Grid and Wavelength Information

Channel Code (XX)	Wavelength	Frequency
63	1527.22	196.30
62	1527.99	196.20
61	1528.77	196.10
60	1529.55	196.00
59	1530.33	195.90
58	1531.12	195.80
57	1531.90	195.70
56	1532.68	195.60
55	1533.47	195.50
54	1534.25	195.40
53	1535.04	195.30
52	1535.82	195.20
51	1536.61	195.10
50	1537.40	195.00
49	1538.19	194.90
48	1538.98	194.80
47	1539.77	194.70
46	1540.56	194.60
45	1541.35	194.50
44	1542.14	194.40
43	1542.94	194.30
42	1543.73	194.20
41	1544.53	194.10
40	1545.32	194.00
39	1546.12	193.90
38	1546.92	193.80
37	1547.72	193.70
36	1548.51	193.60
35	1549.32	193.50
34	1550.12	193.40
33	1550.92	193.30

32	1551.72	193.20
31	1552.52	193.10
30	1553.33	193.00
29	1554.13	192.90
28	1554.94	192.80
27	1555.75	192.70
26	1556.55	192.60
25	1557.36	192.50
24	1558.17	192.40
23	1558.98	192.30
22	1559.79	192.20
21	1560.61	192.10
20	1561.42	192.00
19	1562.23	191.90
18	1563.05	191.80
17	1563.86	191.70

AscentOptics reserves the right to make changes to the product(s) or information contained herein without notice. No liability is assumed as a result of their use or application. No rights under any patent accompany the sale of any such product(s) or information. Edition: Apr. 2019 Published by Ascent Optics Co.,Ltd. Copyright © Ascent Optics All Rights Reserved.

E-mail: sales@ascentoptics.com

Web : <http://www.ascentoptics.com>