

XSPT-P9T9R-N2C(I)

XGS-PON N2 OLT SFP+ Transceiver

Features

- Single fiber bi-directional data links TX 9.953Gbps, Burst Mode RX 9.953Gbps/2.488Gbps application
- 0 to 70°C operating case temperature
- 3.3V power supply
- SFP+ package with SC Receptacle connector
- Hot-pluggable capability
- High power 1577nm EML LD and high sensitivity 1270nm APD
- Support 20km transmission distance with SMF
- SD indication
- Low EMI and excellent ESD protection
- Digital diagnostic monitor interface
- RoHS6 compliance



Applications

- SFP+ XGS-PON OLT N2

Standards

- Complies with SFP+ MSA
- Complies with SFF-8472
- Complies with ITU G.9807.1
- Complies with FCC 47 CFR Part 15, Class B
- Complies with FDA 21 CFR 1040.10 and 1040.11

Absolute Maximum Ratings

Table 1 - Absolute Maximum Ratings

Parameter	Symbol	Min	Max	Unit	Notes
Storage Ambient Temperature	TSTG	-40	85	°C	
Operating Case Temperature	T _c	0	70	°C	
Operating Humidity	OH	5	95	%	
VCC3 Power Supply Voltage	VCC3	-0.5	3.6	V	

Recommended Operating Environment

Table 2 - Recommended Operating Environment

Parameter	Symbol	Min	Typical	Max	Unit	Notes
Operating Case Temperature	T _c	0		70	°C	
Power Supply Voltage	V _{cc}	3.13	3.3	3.47	V	
Power Supply Consumption	P			2.5	W	
TX Data Rate			9.953		Gbps	
RX Data Rate			9.953/2.488		Gbps	

Transmitter Optical Characteristics

Table 3-Transmitter Optical Characteristics

Parameter	Symbol	Min	Typical	Max	Unit	Notes
Optical Center Wavelength	λ _C	1575		1580	nm	
Optical Spectrum Width (-20dB)	Δλ	-	-	1	nm	
Side Mode Suppression Ratio	SMSR	30			dB	
Average Launch Optical Power	AOP	+4		+7	dBm	Launched into SMF

Power-OFF Transmitter Optical Power				-39	dBm	Launched into SMF
Extinction Ratio	ER	8.2			dB	PRBS2 ³¹ -1 @9.953Gbps
Optical Waveform Diagram	Compliant with G.9807.1					Figure 1, Mask Margin>5%
Transmitter and Dispersion Penalty	TDP			1	dB	Transmit on 20km SMF

Transmitter Electrical Characteristics

Table 4-Transmitter Electrical Characteristics

Parameter	Symbol	Min	Typical	Max	Unit	Notes
Data Input Differential Swing		180		850	mV	
Input Differential Impedance		90	100	110	Ω	
TX Disable	Disable	2		VCC	V	
	Enable	0		0.8	V	
TX Fault	Fault	2.4		VCC+0.3	V	
	Normal	-0.3		0.4	V	

Transmitter Eye Mask Definitions And Test Procedure

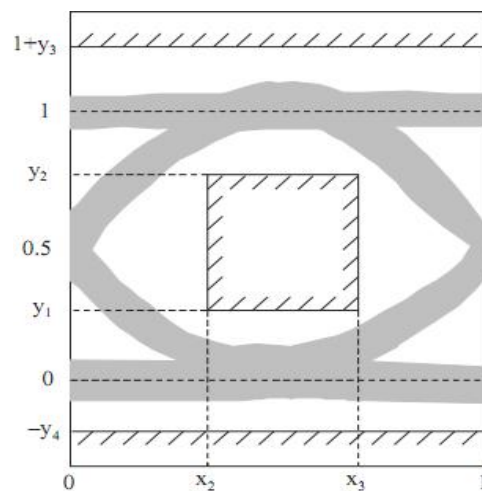


Figure 1 XGPON Transmitter Eye Mask Definitions

X3-X2	Y1	Y2	Y3	Y4	Unit
0.2	0.25	0.75	0.25	0.25	UI

XGS PON Receiver Optical Characteristics

Table 5-XGS PON Receiver Optical Characteristics

Parameter	Symbol	Min	Typical	Max	Unit	Notes
Operating Wavelength		1260		1280	nm	
Sensitivity	SEN			-28	dBm	PRBS2 ³¹ -1@9.953Gbps BER $\leq 1 \times 10^{-3}$
Saturation Optical Power	SAT	-7			dBm	PRBS2 ³¹ -1@9.953Gbps BER $\leq 1 \times 10^{-3}$
SD De-Assert Level		-45			dBm	
SD Assert Level				-29	dBm	
Signal Detected Hysteresis		0.5		6	dB	
CID		72			Bit	

XGPON Receiver Optical Characteristics

Table 6-XGPON Receiver Optical Characteristics

Parameter	Symbol	Min	Typical	Max	Unit	Notes
Operating Wavelength		1260		1280	nm	
Sensitivity	SEN			-29.5	dBm	PRBS2 ²³ -1@2.488Gbps BER $\leq 1 \times 10^{-4}$
Saturation Optical Power	SAT	-9			dBm	PRBS2 ²³ -1@2.488Gbps BER $\leq 1 \times 10^{-4}$
SD De-Assert Level		-45			dBm	
SD Assert Level				-30	dBm	
Signal Detected Hysteresis		0.5		6	dB	
CID		72			Bit	

Recommended XGS/XGPON Receiver Timing Characteristics

Table 7-Recommended XGS/XGPON Receiver Timing Characteristics

Parameter	Symbol	Min	Typical	Max	Unit	Notes
RSSI Trigger-Low		0		0.8	V	
RSSI Trigger-High		2.0		V _{cc}	V	
Data Output Differential Swing		340		850	mV	CML output, DC coupled
Reset-Low		0		0.8	V	
Reset-High		2.0		V _{cc}	V	
SD Voltage-Low		0		0.4	V	
SD Voltage-High		2.4		V _{cc}	V	
Reset Width	Tr		25.6		ns	Suggest the first Reset location is partial in preamble of the optical packet.
Data Recovery Time	Ts		50	100	ns	
SD De-Assert Time	TSDD			50	ns	
SD Assert Time	TSDA			50	ns	
Guard time	Tg		50		ns	

Timing Parameter Definitions In Burst Mode Sequence

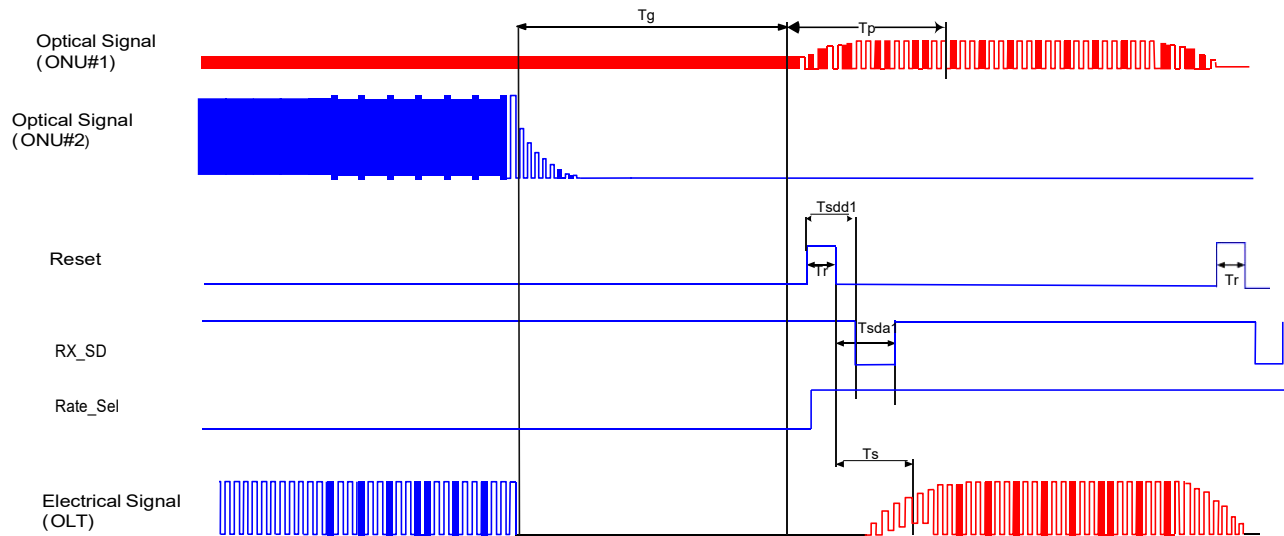


Figure 2 Timing Parameter Definitions in XGS-PON Burst Mode Sequence

RSSI Timing Sequence

Table 8-RSSI Timing Sequence

Parameter	Symbol	Min	Typical	Max	Unit	Notes
Optical Signal During Time	T_{opt}	1200			ns	
RSSI Trigger width	T_W	500			ns	
RSSI Trigger Delay	T_D	150			ns	
I ² C Access Prohibited Time	T_s			500	μ s	

Digital RSSI Sample/Hold Timing Specification

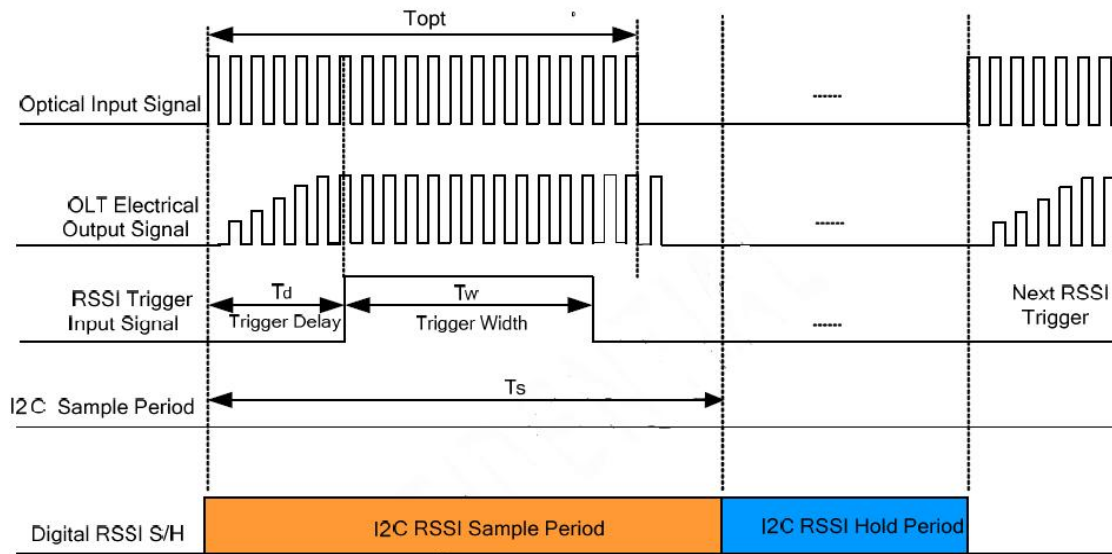


Figure 3 Timing Parameter Definitions in RSSI Trigger

Pin Out Drawing

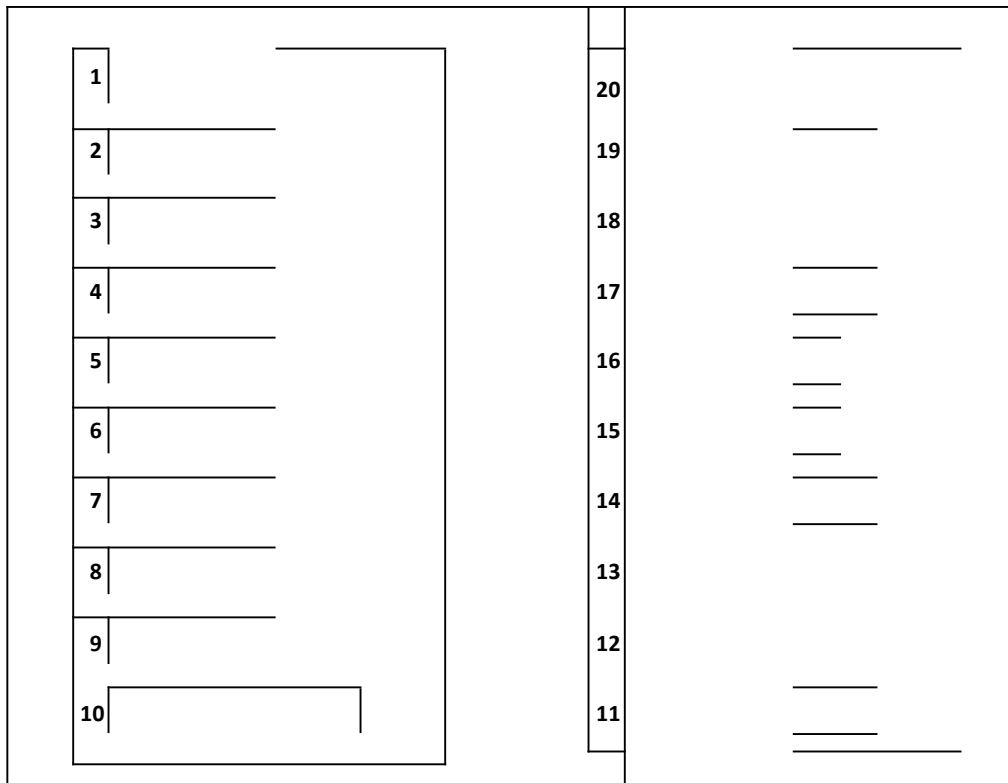


Figure 4 Pin Out Drawing

Pin Descriptions

Table 9-Pin Descriptions

Pin	Name	Description	Notes
1	Rate_Select	Rate select	Low:2.488Gbps, High:9.953Gbps
2	TX_Fault	TX fault out	
3	TX_Disable	TX disable in	
4	SDA	I2C Data in/out	
5	SCL	I2C Clock in	
6	MOD_ABS	Module absent	
7	RX_Reset	Reset	Active High
8	RX_SD	Signal detect out	
9	RSSI_Trigger	RSSI trigger in	
10	GND	GND.	
11	GND	GND.	
12	XGS_RD-	XGSPON data out, CML	CML output, DC coupled; squelch function
13	XGS_RD+	XGSPON data out, CML	CML output, DC coupled; squelch function
14	GND	GND.	
15	VCCR	Module power	
16	VCCT	Module power	
17	GND	GND.	
18	XGS_TD+	XGSPON data in, CML	
19	XGS_TD-	XGSPON data in, CML	
20	GND	GND.	

Package Outline

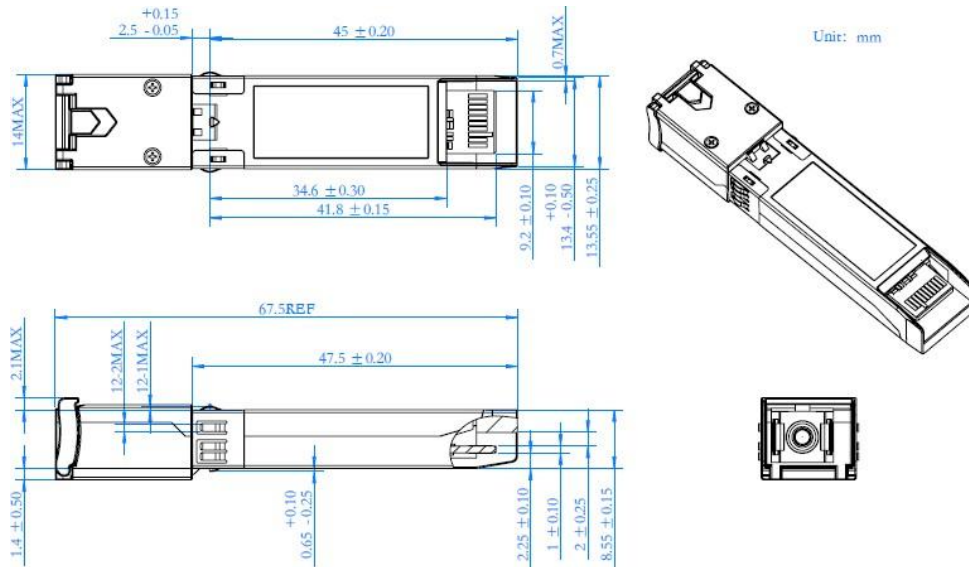


Figure 5 Package Outline

EEPROM Information

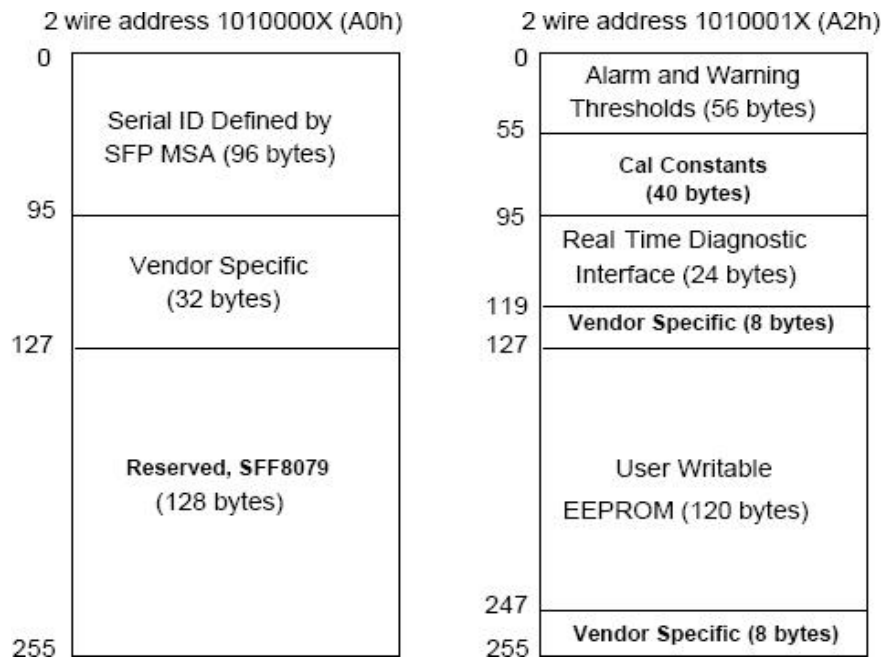


Figure 6 EEPROM Memory Map Specific Data Field Descriptions

Digital Diagnostic Monitoring Interface**Table 10- Digital Diagnostic Monitoring Interface**

Parameter	Range	Accuracy	Calibration	Notes
Temperature	0 to 70°C	±3°C	Internal	LSB: 1/256C
Voltage	2.97 to 3.63V	±5%	Internal	LSB: 0.1mV
Bias Current	0 to 262mA	±10%	Internal	LSB: 4uA
TX Power	4 to 7dBm	±3dB	Internal	LSB: 0.2uW
RX Power	-30 to -7dBm	±3dB	Internal	LSB: 0.1uW

Ordering information**Table 11- Ordering information**

Part Number	Product Description
XSPT-P9T9R-N2C(I)	XGSPON OLT SFP+ N2, SC, N2, 1577T/1270R 1490T/1310R, 0 ~ +70°C, with DDM

AscentOptics reserves the right to make changes to the product(s) or information contained herein without notice. No liability is assumed as a result of their use or application. No rights under any patent accompany the sale of any such product(s) or information. Edition: Apr. 2019 Published by Ascent Optics Co.,Ltd. Copyright © Ascent Optics All Rights Reserved.

E-mail: sales@ascentoptics.com

Web : <http://www.ascentoptics.com>