

XGPT-P9T2R-N1C

SFP+ XGPON OLT Transceiver

Features

- Single fiber bi-directional data links TX 9.953Gbps/ Burst Mode RX 2.488Gbps application
- 0 to 70°C operating case temperature
- 3.3V power supply
- SFP+ package with SC/ UPC Receptacle connector
- Hot-pluggable capability
- High power 1577nm EML DFB LD
- High sensitivity 1270nm APD
- Support 20km transmission distance with SMF
- Low EMI and excellent ESD protection
- Digital diagnostic monitor interface
- RoHS6 compliance



Applications

- XG-PON OLT SFP N1.

Standards

- Com plies with SFF-8431
- Com plies with SFF-8432
- Com plies with SFF-8472
- Com plies with ITU-T G.987.2
- Com plies with FCC 47 CFR Part 15, Class B
- Com plies with FDA 21 CFR 1040.10 and 1040.11 except for deviations pursuant to Laser Notice No. 50, dated June 24, 2007

Absolute Maximum Ratings

Table 1 - Absolute Maximum Ratings

Parameter	Symbol	Min	Max	Unit	Notes
Storage Ambient Temperature	T _{STG}	-40	85	°C	
Operating Case Temperature	T _C	0	70	°C	
Operating Humidity	OH	5	85	%	
VCC3 Power Supply Voltage	VCC	0	3.6	V	

Recommended Operating Environment

Table 2 - Recommended Operating Environment

Parameter	Symbol	Min	Typical	Max	Unit	Notes
Operating Case Temperature	T _c	0		+70	°C	
VCC3 Power Supply Voltage	VCC	3.13	3.3	3.47	V	
VCC3 Power Supply Current	I _{CC}			550	mA	
Data Rate			9.953/2.488		Gbps	
Data Rate Drift		-100		+100	PPM	

Transmitter Optical Characteristics

Table 3- Transmitter Optical Characteristics

Parameter	Symbol	Min	Typical	Max	Unit	Notes
Optical Center Wavelength	λ_c	1575		1580	nm	
Optical Spectrum Width (-20dB)	$\Delta\lambda$	-	-	1	nm	
Side Mode Suppression Ratio	SMSR	30			dB	
Average Launch Optical Power (BOL)	AOP	+2.5		+6	dBm	Launched into SMF @ Room Temperature
Average Launch Optical Power (EOL)	AOP	+2		+6	dBm	Launched into SMF @ 0~70°C

Power-OFF Transmitter Optical Power				-39	dBm	Launched into SMF
Extinction Ratio	ER	8.2			dB	PRBS2 ³¹ -1
Transmitter Reflectance				-10	dB	
Transmitter tolerance to reflected optical power		-15			dB	
Transmitter and Dispersion Penalty	TDP			1	dB	Transmit on 20km SMF
Optical Waveform Diagram	Compliant with ITU-T 987.2					Figure 1, Mask Margin>5%

Transmitter Electrical Characteristics

Table 4- Transmitter Electrical Characteristics

Parameter	Symbol	Min	Typical	Max	Unit	Notes
Data Input Differential Swing		120		820	mV	CML input, AC coupled
Input Differential Impedance		80	100	120	Ω	
Transmitter Disable Voltage - Low		0		0.8	V	Transmitter On
Transmitter Disable Voltage - High		2.0		VCC	V	Transmitter Off
Transmitter Fault Voltage - Low		0		0.4	V	Transmitter On
Transmitter Fault Voltage - High		2.4		VCC	V	Transmitter Fault

Transmitter Eye Mask Definitions And Test Procedure

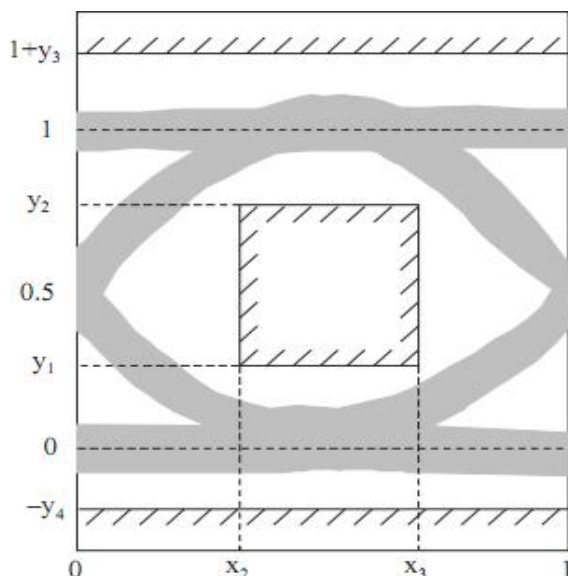


Figure 1 XGPON Transmitter Eye Mask Definitions

X3-X2	Y1	Y2	Y3	Y4	Unit
0.2	0.25	0.75	0.25	0.25	UI

Receiver Optical Characteristics

Table 5- Receiver Optical Characteristics

Parameter	Symbol	Min	Typical	Max	Unit	Notes
Operating Wavelength		1260		1280	nm	
Sensitivity	SEN(BOL)			-28.5	dBm	PRBS 2 ²³ -1@2.488Gbps BER ≤1×10 ⁻⁴
	SEN(EOL)			-27.5	dBm	PRBS 2 ²³ -1@2.488Gbps BER ≤1×10 ⁻⁴
Saturation Optical Power	SAT	-7			dBm	
Burst Dynamic Range		15			dB	
Signal Detect Assert	SDA			-29.5	dBm	
Signal Detect De-assert	SDD	-45			dBm	
Signal Detect Hysteresis		0.5		7.5	dB	

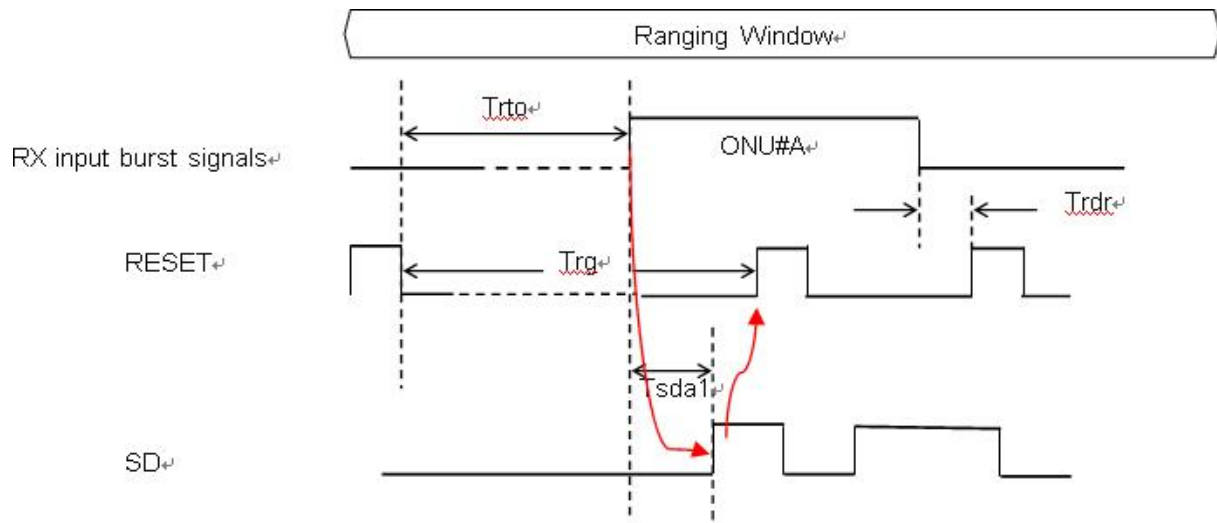
Receiver Reflectance				-20	dB	
----------------------	--	--	--	-----	----	--

Receiver Electrical Characteristics

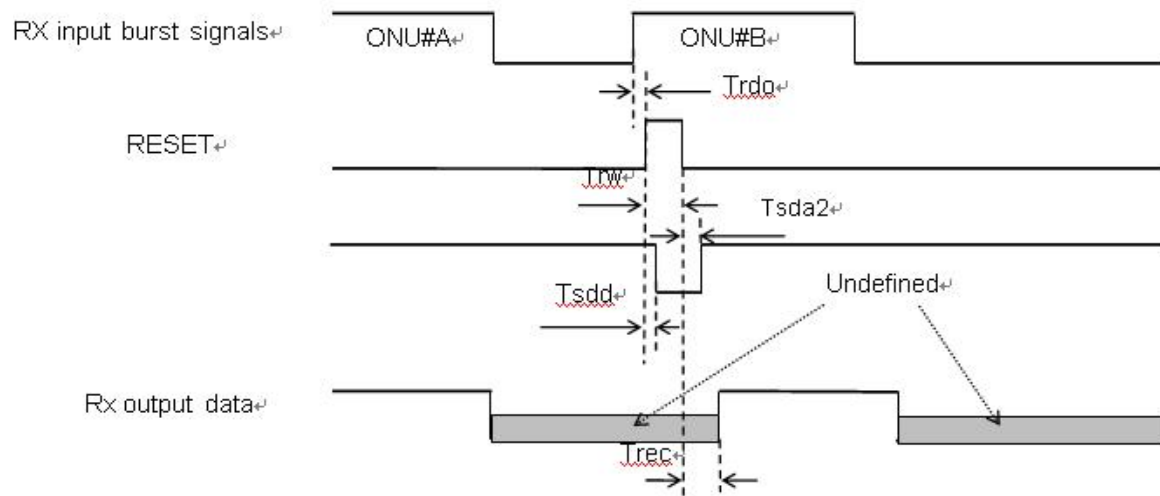
Table 6- Receiver Electrical Characteristics

Parameter	Symbol	Min	Typical	Max	Unit	Notes
Data Output Differential Swing		340		850	mV	CML output, AC coupled
Reset width	Trw	25.6			ns	Figure 2
Signal Detect Assert Time	Tsda1			50	ns	Figure 2
Signal Detect Assert Time	Tsda2			50	ns	Figure 2
Signal Detect De-assert Time	Tsdd			12.8	ns	Figure 2
Data recovery time	Trec			25.6	ns	Figure 2
Reset To ONU Optical Time	Trto	0	-	250	us	Figure 2
Reset Guard Time	Trg	0	-	250	us	Figure 2
Reset-Low		0		0.8	V	
Reset-High		2.0		Vcc	V	
Signal Detect Voltage-Low		0		0.6	V	
Signal Detect Voltage-High		2.4		Vcc	V	
RSSI Trigger-Low		0		0.8	V	
RSSI Trigger-High		2.0		Vcc	V	
Upstream Signal Width	T _{ONT}	550			ns	Figure 4
RSSI Trigger Delay	T _D	25			ns	Figure 4
RSSI Trigger Width	T _w	500			ns	Figure 4
I ² C Access Prohibited Time	T _P	500			μs	Figure 4

Timing Parameter Definitions in Burst More Sequence



Timing requirements of ranging period



Timing requirements of normal operating

Figure 2 Timing Parameter Definitions in Burst Mode Sequence

Burst Mode Receiver Dynamic Range

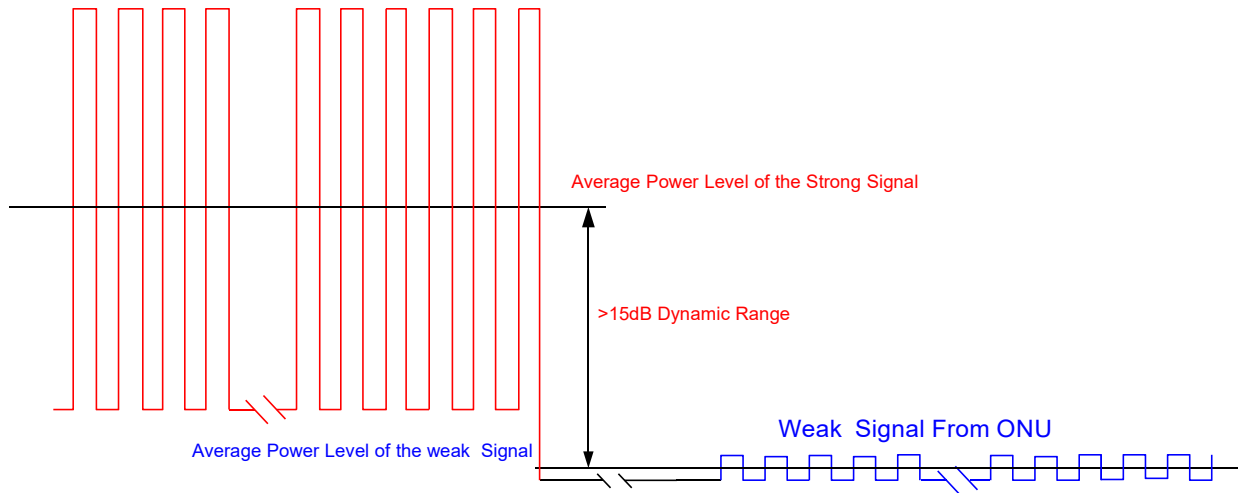


Figure 3 Burst Mode Receiver Dynamic Range in XGPON System

Timing Parameter Definitions in RSSI Trigger

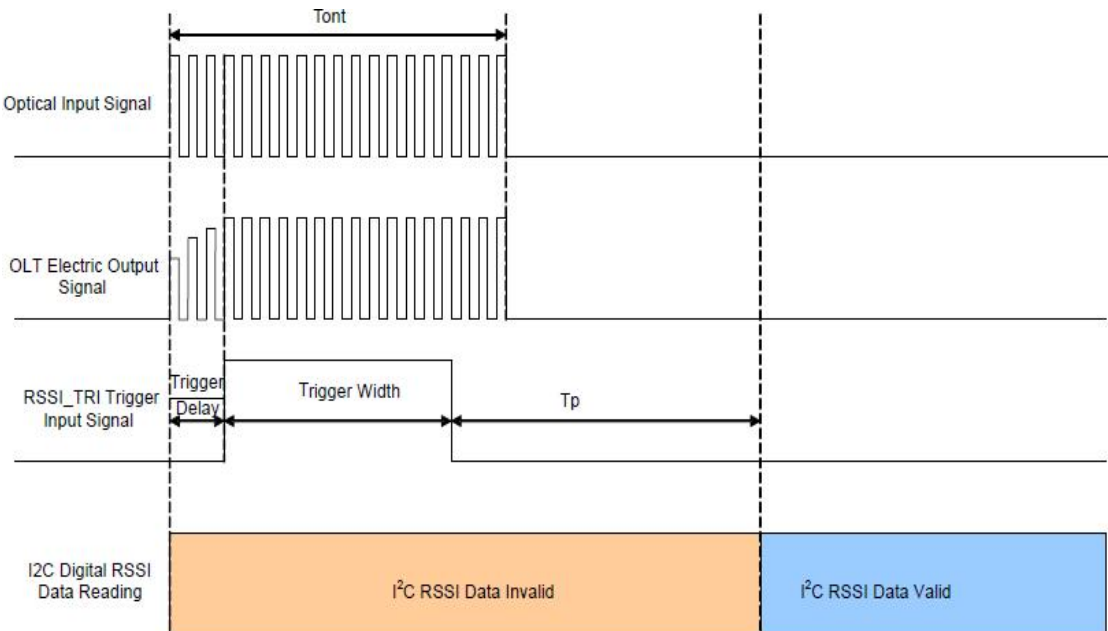


Figure 4 Timing Parameter Definitions in RSSI Trigger

Pin Descriptions

Table 7-Pin Descriptions

Pin	Name	Description	Note
1	VEET	Transmitter Ground	
2	TX Fault	Transmitter Fault Indication	LVTTL, High Indicates TX Laser Fault
3	TX Disable	Transmitter Disable	LVTTL, Low: transmitter on
4	SDA	The data line	The data line of two wire serial interface
5	SCL	The clock line	The clock line of two wire serial interface
6	MOD-DEF0	Module definition 0	Grounded in module
7	RESET	Burst Receiver Reset	LVTTL, High level Reset
8	SD	SD output	LVTTL, High active
9	RSSI_TRIG	RSSI trigger for Transceiver A/D converter	LVTTL, High active
10	VEER	Receiver Ground	
11	VEER	Receiver Ground	
12	RD-	inverted Received Data Out	CML Output, AC coupled
13	RD+	Non-inverted Received Data Out	CML Output, AC coupled
14	VEER	Receiver Ground	
15	VCCR	Receiver 3.3V Power Supply	
16	VCCT	Transmitter 3.3V Power Supply	
17	VEET	Transmitter Ground	
18	TD+	Non-Inverted Transmit Data in	CML input, AC coupled
19	TD-	Inverted Transmit Data in	CML input, AC coupled
20	VEET	Transmitter Ground	

Pin Assignment

Pin Out Drawing

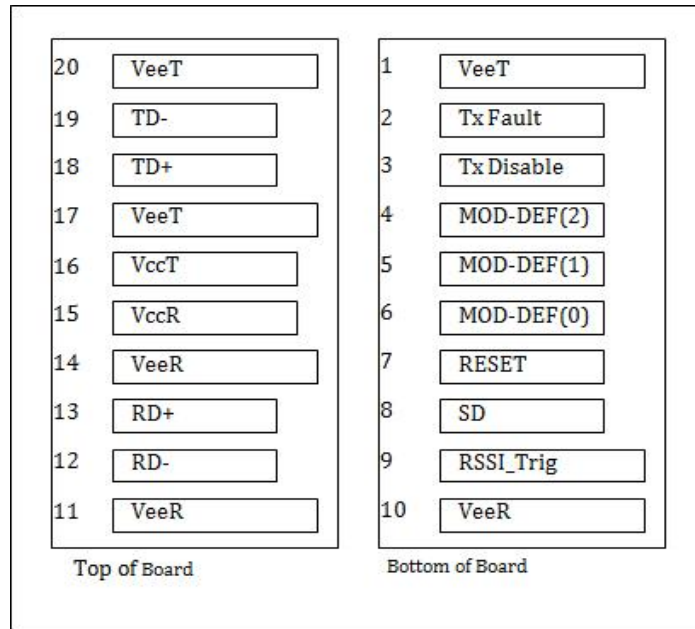


Figure 5 Pin Out Drawing

Typical Interface Circuit

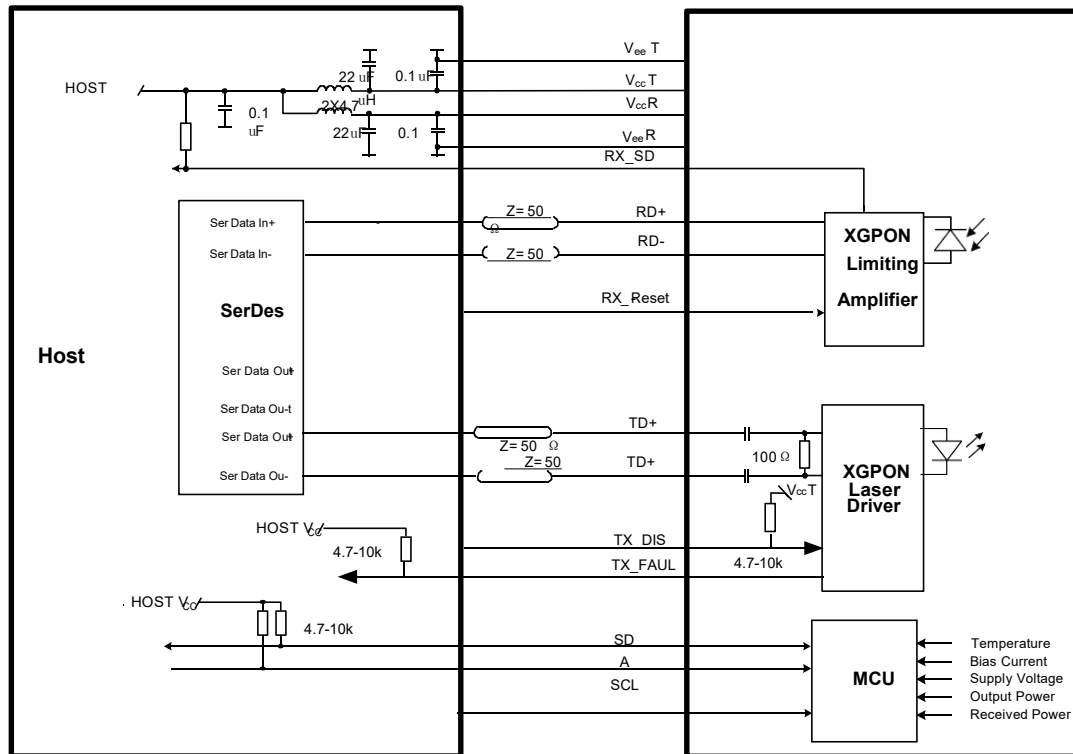


Figure 6 Typical Interface Circuit

Package Outline

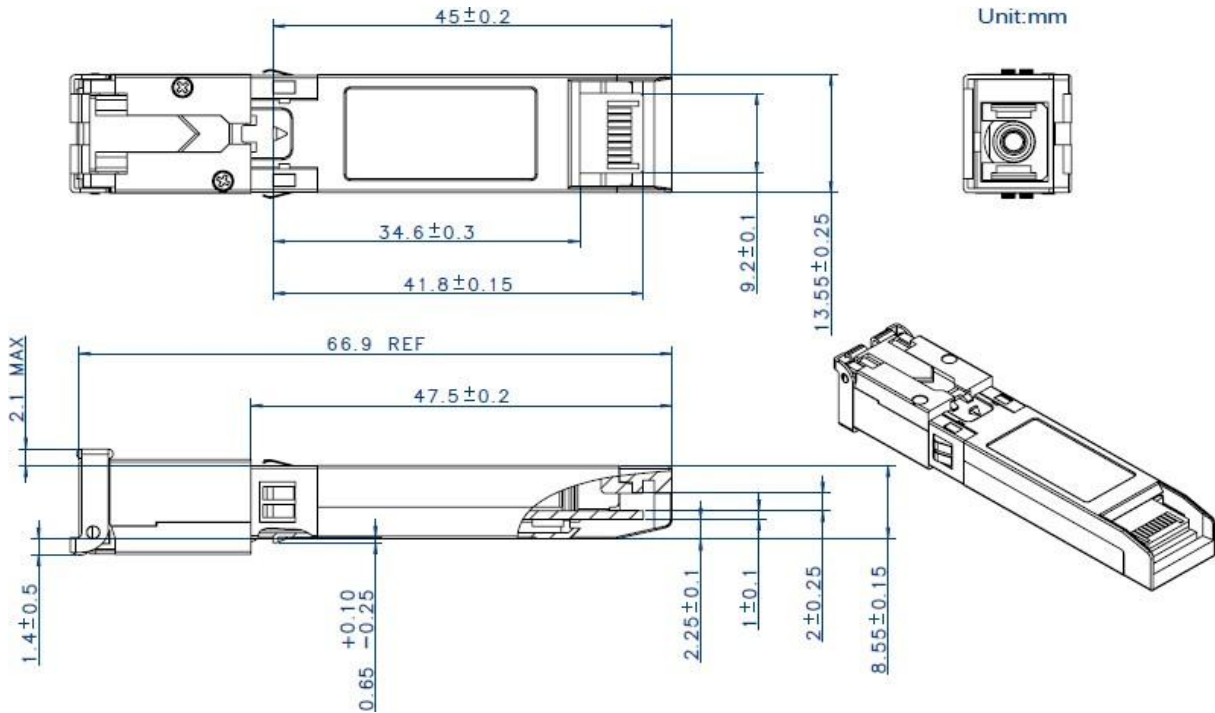


Figure 7 Package Outline

EEPROM Information

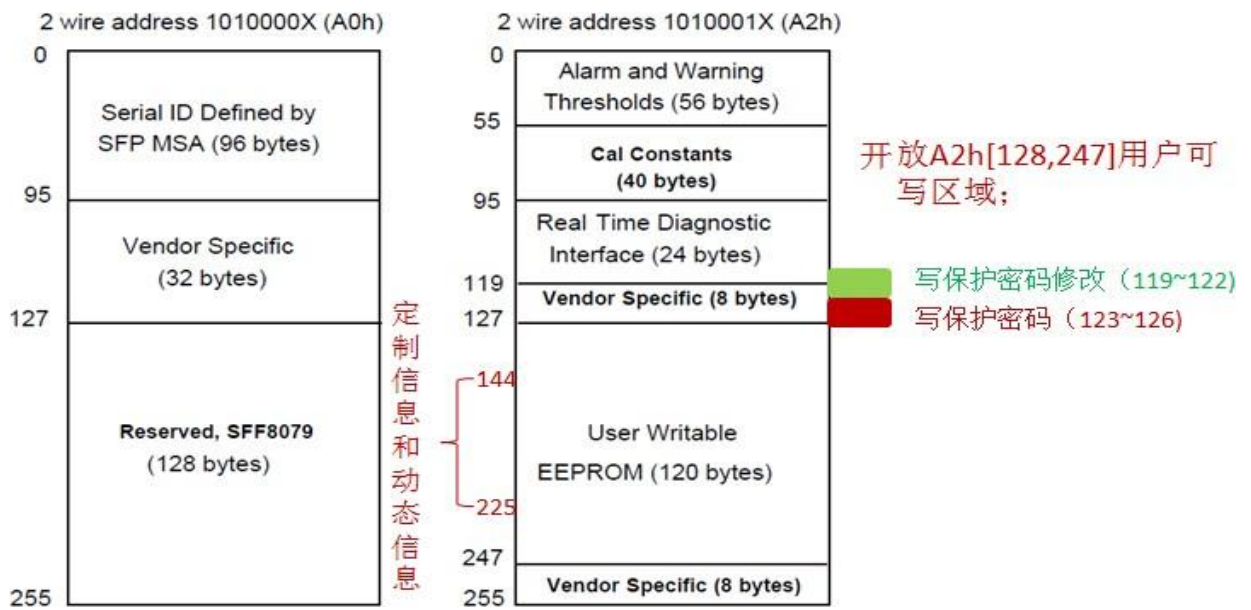


Figure 8 EEPROM Memory Map Specific Data Field Descriptions

Digital Diagnostic Monitoring

Table 8- Digital Diagnostic Monitoring

Parameter	Range	Accuracy	Calibration	Note
Temperature	-5 to 75°C	±3°C	Internal	1LSB = 1/256°C
Voltage	3.0 to 3.6V	±3%	Internal	1LSB = 0.1mV
Bias Current	0 to 262mA	±10%	Internal	1LSB = 4uA
TX Power	0 to 8dBm	常温±2dB 全温±3dB	Internal	1LSB = 0.2uW
RX Power monitor	-29 to -7dBm	常温±2dB 全温±3dB	Internal	1LSB = 0.1uW

Ordering information

Table 9- Ordering information

Part Number	Product Description
XGPT-P9T2R-N1C	XG-PON1 OLT SFP+, SC, N1, 1577T/1270R, 0 ~ +70°C, with DDM

AscentOptics reserves the right to make changes to the product(s) or information contained herein without notice. No liability is assumed as a result of their use or application. No rights under any patent accompany the sale of any such product(s) or information. Edition: Apr. 2019 Published by Ascent Optics Co.,Ltd. Copyright © Ascent Optics All Rights Reserved.

E-mail: sales@ascentoptics.com

Web : <http://www.ascentoptics.com>