

SFP-03SS31-40C

100BASE-FX Spring-Latch SFP Transceiver,40km Reach

Features

- Double LC type pluggable optical interface
- 1310nm FP laser transmitter and PIN receiver
- Up to 40km on 9/125 μ m SMF
- Hot-pluggable SFP footprint
- Low power consumption<1W typical
- The metal shell shielding electromagnetic interference
- RoHS compliant and lead-free
- Single +3.3V power supply
- Built-in PHY supporting SGMII Interface
- 100 BASE operation
- Ambient operating temperature: 0 to +70°C



Applications

- Switch to Switch interface
- Switched backplane applications
- Router/Server interface
- Other optical transmission systems

Description

AscentOptics GEFE Small Form Factor Pluggable (SFP) transceivers are compatible with the Small Form Factor Pluggable Multi-Sourcing Agreement (MSA), and are designed for SGMII MAC interface to 100BASE (The SGMII MAC Interface implements a modified 1000BASE-X Auto-Negotiation to indicate link, duplex, and speed to the MAC). The transceiver consists of four sections: the standard SFP part, the PHY part built with SGMII interface, the 1310nm FP laser and the PIN photo-detector. The module data link up to 40km in 9/125 μ m single mode fiber.

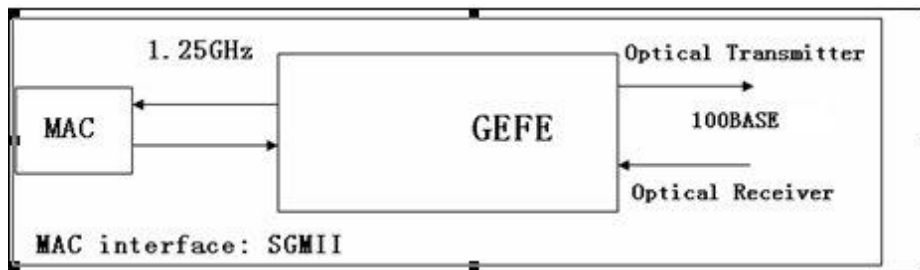


Figure 1. MAC to Fiber Connection

Absolute Maximum Ratings

Table 1 - Absolute Maximum Ratings

Parameter	Symbol	Min.	Typ.	Max.	Unit	Note
Storage Temperature	Ts	-40		85	°C	
Relative Humidity	RH	5		95	%	
Power Supply Voltage	VCC	-0.5		4	V	
Signal Input Voltage		-0.3		Vcc+0.3	V	
Receiver Damage Threshold		+5			dBm	

Recommended Operating Environment

Table 2 - Recommended Operating Environment

Parameter	Symbol	Min.	Typ.	Max.	Unit	Note
Case Operating Temperature	Tcase	0		70	°C	
Power Supply Voltage	VCC	3.13	3.3	3.47	V	
Power Supply Current	ICC			400	mA	
Power Supply Noise Rejection				100	mVp-p	100Hz to 1MHz
Data Rate			125/125		Mbps	TX Rate/RX Rate
Transmission Distance				40	KM	
Coupled Fiber		Single mode fiber				9/125um SMF

Electrical Interface Characteristics

Table 3- Electrical Interface Characteristics

Parameter	Symbol	Min.	Typ.	Max.	Unit	Note
Transmitter						
Total Supply Current	ICC			A	mA	Note (1)
Transmitter Disable Input-High	VDISH	2		Vcc+0.3	V	
Transmitter Disable Input-Low	VDISL	0		0.8	V	

Transmitter Fault Input-High	VDISL	2		V _{cc} +0.3	V	
Transmitter Fault Input-Low	VTxFH	0		0.8	V	
Receiver						
Total Supply Current	ICC			B	mA	Note (1)
LOSS Output Voltage-High	VLOSH	2		V _{cc} +0.3	V	LVTTTL
LOSS Output Voltage-Low	VLOSL	0		0.8	V	

Note :

1.A (TX) + B (RX) = 400mA (Not include termination circuit)

Specification of Transmitter

Table 3- Specification of Transmitter

Parameter	Symbol	Min.	Typ.	Max.	Unit	Note
Average Output Power	POUT	-7		-2	dBm	Note (1)
Extinction Ratio	ER	9			dB	
Center Wavelength	λC	1270	1310	1360	nm	FP Laser
Spectrum Bandwidth(RMS)	σ			3.5	nm	
Transmitter OFF Output Power	POff			-45	dBm	
Differential Line Input Impedance	RIN	90	100	110	Ohm	
Output Eye Mask	Compliant with G.957(class 1 laser safety)					Note (2)

Note:

1. Measure at 2²³-1 NRZ PRBS pattern
2. Transmitter eye mask definition

Specification of Receiver

Table 4- Specification of Receiver

Parameter	Symbol	Min.	Typ.	Max.	Unit	Note
Input Optical Wavelength	λIN	1270		1610	nm	PIN-TIA
Receiver Sensitivity	PIN			-32	dBm	Note (1)
Input Saturation Power (Overload)	PSAT	-8			dBm	
Los Of Signal Assert	PA	-42			dBm	
Los Of Signal De-assert	PD			-33	dBm	Note (2)
LOS Hysteresis	PA-PD	0.5	2	6	dB	

Note:

1. Measured with Light source 1310nm, ER=9dB; BER =<10⁻¹² @PRBS=2²³-1 NRZ
2. When SD De-Assert, the RX-LOS output is signal output.

Pin Assignment

Pin Diagram

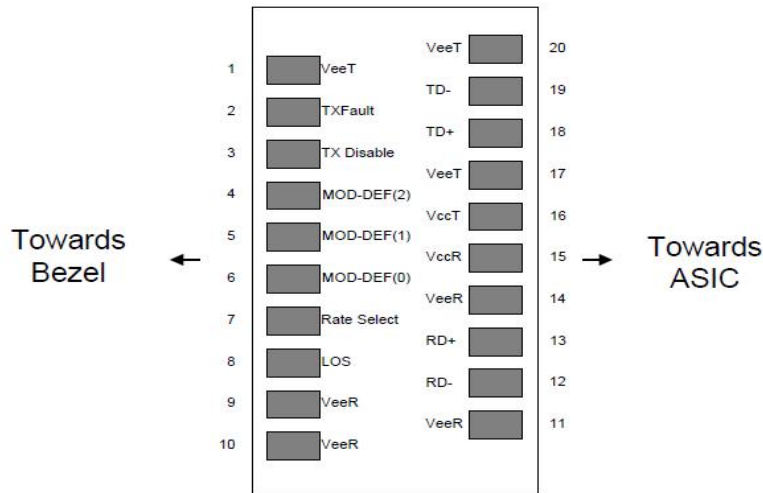


Figure2. Pin out of Connector Block on Host Board

Pin Descriptions

Table 6- Pin Descriptions

Pin	Symbol	Name/Description	NOTE
1	VEET	Transmitter Ground (Common with Receiver Ground)	1
2	TFAULT	Transmitter Fault.	
3	TDIS	Transmitter Disable. Laser output disabled on high or open.	2
4	MOD_DEF(2)	Module Definition 2. Data line for Serial ID.	3
5	MOD_DEF(1)	Module Definition 1. Clock line for Serial ID.	3
6	MOD_DEF(0)	Module Definition 0. Grounded within the module.	3
7	Rate Select	No connection required	4
8	LOS	Loss of Signal indication. Logic 0 indicates normal operation.	5
9	VEER	Receiver Ground (Common with Transmitter Ground)	1
10	VEER	Receiver Ground (Common with Transmitter Ground)	1

11	VEER	Receiver Ground (Common with Transmitter Ground)	1
12	RD-	Receiver Inverted DATA out. AC Coupled	
13	RD+	Receiver Non-inverted DATA out. AC Coupled	
14	VEER	Receiver Ground (Common with Transmitter Ground)	1
15	VCCR	Receiver Power Supply	
16	VCCT	Transmitter Power Supply	
17	VEET	Transmitter Ground (Common with Receiver Ground)	1
18	TD+	Transmitter Non-Inverted DATA in. AC Coupled.	
19	TD-	Transmitter Inverted DATA in. AC Coupled.	
20	VEET	Transmitter Ground (Common with Receiver Ground)	1

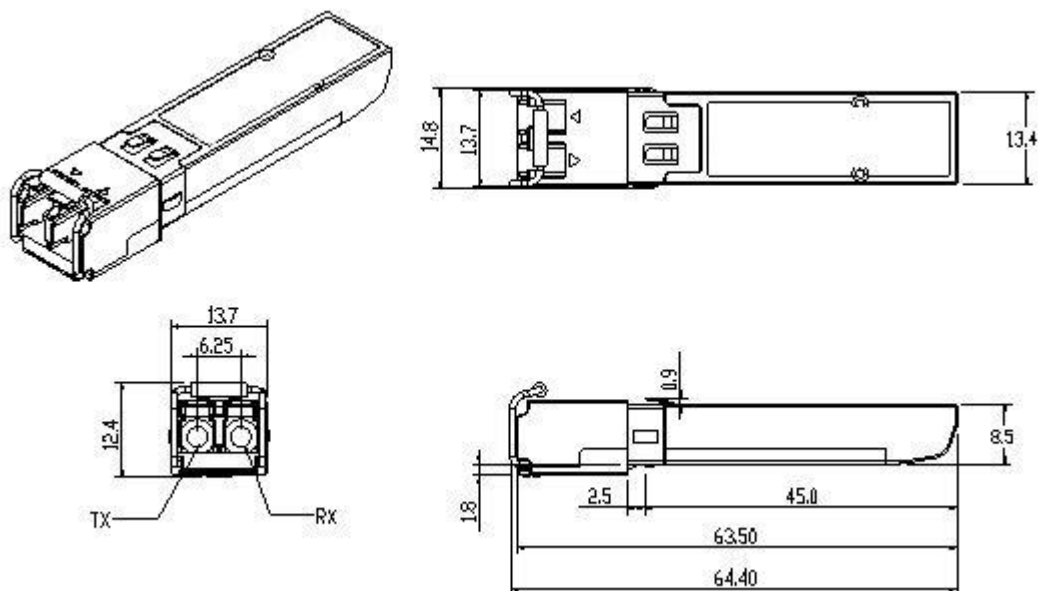
Notes:

1. Circuit ground is internally isolated from chassis ground.
2. Laser output disabled on TDIS >2.0V or open, enabled on TDIS <0.8V.
3. Should be pulled up with 4.7k - 10kohms on host board to a voltage between 2.0V and 3.6V. MOD_DEF (0) pulls line low to indicate module is plugged in.
4. This is an optional input used to control the receiver bandwidth for compatibility with multiple data rates (most likely Fiber Channel 1x and 2x Rates). If implemented, the input will be internally pulled down with > 30kΩ resistor. The input states are:
 - Low (0 – 0.8V): Reduced Bandwidth
 - (>0.8, < 2.0V): Undefined
 - High (2.0 – 3.465V): Full Bandwidth
 - Open: Reduced Bandwidth
5. LOS is open collector output should be pulled up with 4.7k - 10kohms on host board to a voltage between 2.0V and 3.6V.
6. Logic 0 indicates normal operation; logic 1 indicates loss of signal.

References

1. Small Form Factor Pluggable (SFP) Transceiver Multi-Source Agreement (MSA), September 2000.
2. IEEE 802.3ah-2004.

Mechanical Specifications



Ordering information

Table 7- Ordering information

Part Number	Product Description
SFP-03SS31-40C-1	1310nm,40km,125Mbps, 0°C ~ +70°C Marvell
SFP-03SS31-40C-2	1310nm,40km,125Mbps, 0°C ~ +70°C, Broadcom

AscentOptics reserves the right to make changes to the product(s) or information contained herein without notice. No liability is assumed as a result of their use or application. No rights under any patent accompany the sale of any such product(s) or information. Edition: Apr. 2019 Published by Ascent Optics Co.,Ltd. Copyright © Ascent Optics All Rights Reserved.

E-mail: sales@ascentoptics.com
Web : <http://www.ascentoptics.com>